

SUA-110V2x-x-S236

SHELL :

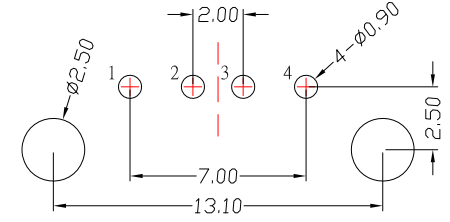
Blank : Brass

I : SPCC

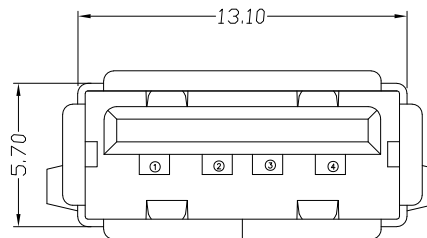
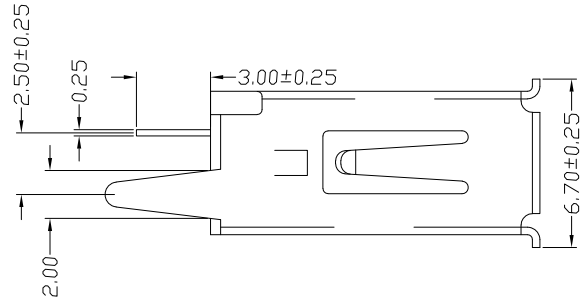
Color :

Black : B

White : W



P.C.B LAYOUT



SPECIFICATIONS

**Electrical:**

- 1.Current Rating: 1.5A
- 2.Voltage Rating: 30 VDC
- 3.Contact Resistance: 30 mΩ Max
- 4.Dielectric Withstanding Voltage: 500 V AC For 1 min
- 5.Insulation Resistance: 1,000 MΩ Min

**Mechanical:**

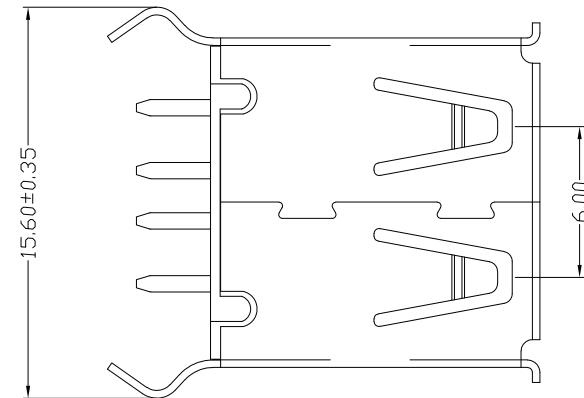
- 1.Connector Mate and Unmate Force
  - 1.1 Mate force: 3.57 kgf (Max)
  - 1.2 Unmate force: 1.02 kgf (Min)

**Material:**

- 1.Housing: PBT
- 2.Contact: Brass
- 3.Shell: Brass / Spcc

**Finish:**

- 1.Contact: Plated Gold in Mating Area ;  
Tin Plated on Solder Balls  
Nickel under plated overall
- 2.Shell: Nickel under Plated surface layer



|          |             |       |        |
|----------|-------------|-------|--------|
| 1        | 更新圖面        | Jack  | 061125 |
| ITEM NO. | DESCRIPTION | DRAWN | DATE   |

**建倚科技股份有限公司**  
**CONTACT TECHNOLOGY CORP.**

|                                     |                    |              |       |    |
|-------------------------------------|--------------------|--------------|-------|----|
| TOLERANCE UNLESS OTHERWISE STATED : | Up to 5 ±0.2       | 3RD. ANGEL'S | UNITS | MM |
|                                     | Above 5 ~ 15 ±0.3  |              |       |    |
|                                     | Above 15 ~ 30 ±0.4 |              |       |    |
|                                     | Above 30 ~ 50 ±0.5 |              |       |    |
|                                     | Angle ±0.3         |              |       |    |

|              |          |           |        |                            |
|--------------|----------|-----------|--------|----------------------------|
| DRAWN BY:    | DATE     | MAT'L     | TITLE  | CONNECTOR                  |
| Jack Lu      | 06/11/25 |           |        |                            |
| CHECKED BY:  | DATE     | FINISH    | MODLE  | USB AF 直立式 L13.1 捲邊,彎腳     |
| Jacky Chen   | 06/11/25 | SCALE     | 1 : 1  | DWG NO. SUA-110V2x-x-S236  |
| APPROVED BY: | DATE     | SHEET NO. | 1 of 1 | PART NO. SUA-110V2x-x-S236 |
| Tony Kao     | 06/11/25 |           |        | SIZE A4                    |
|              |          |           |        | VER R1                     |