

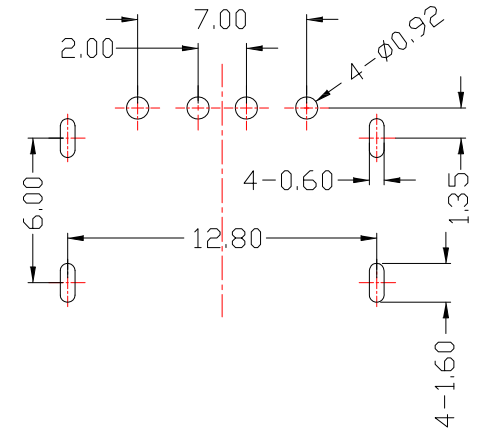
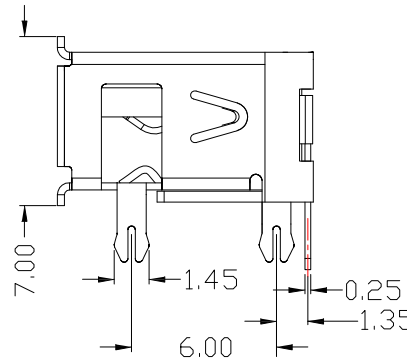
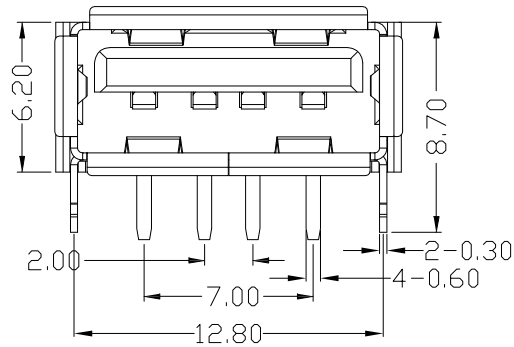
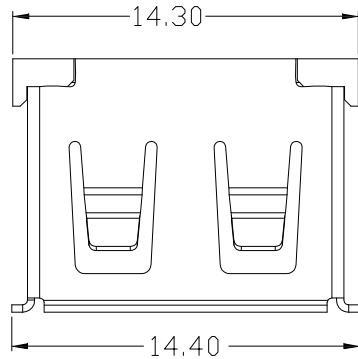


SUA-110H15-x-S235

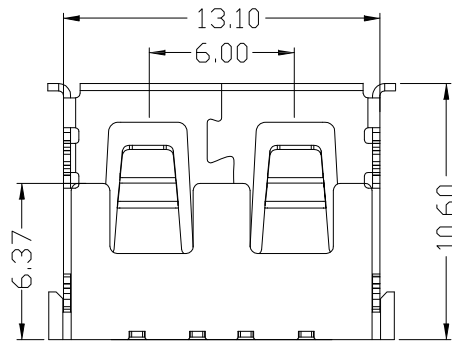
COLOR :

Black: B

White : W



P.C.B LAYOUT MOUNTING PATTERN



SPECIFICATIONS

Electrical:

- 1.Contact Resistance: 30 mΩ Max
- 2.Dielectric Withstanding Voltage: 500 V AC FOR 1 MIN
- 3.Insulation Resistance: 1,000 MΩ Min
- 4.Operating Temperature: -55°C ~ 85°C

Mechanical:

- 1.Connector Mate and Unmate Force
Mate force: 3.57 kgf (Max)
Unmate force: 1.02 kgf (Min)

CONTACT 建倚科技股份有限公司
CONTACT TECHNOLOGY CORP.

TOLERANCE UNLESS OTHERWISE STATED:

Up to 5 ±0.2
Above 5 ~ 15 ±0.3
Above 15 ~ 30 ±0.4
Above 30 ~ 50 ±0.5
Angle ±0.3°

3RD. ANGEL'S



UNITS

MM

DRAWN BY:	DATE	MAT'L	TITLE	CONNECTOR
Jack Lu	08/18/15		MODLE	USB AF DIP 10.6MM四腳有邊H=6.2
CHECKED BY:	DATE	FINISH	SCALE	1 : 1
Jacky Chen	08/18/15		DWG NO.	SUA-110H15-x-S235
APPROVED BY:	DATE	SHEET NO.	PART NO.	SUA-110H15-x-S235
Tony Kao	08/18/15	1 of 1		
			SIZE	A4
			VER	A0

2	更新為A0版	Jack	081815
1	新增外殼腳到PIN的尺寸	Jack	100413
ITEM NO.	DESCRIPTION	DRAWN	DATE