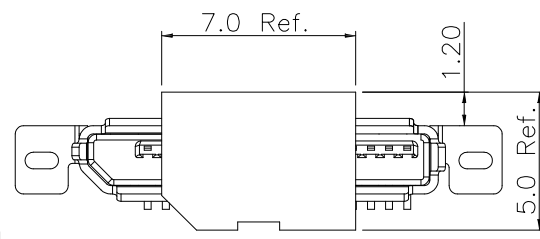
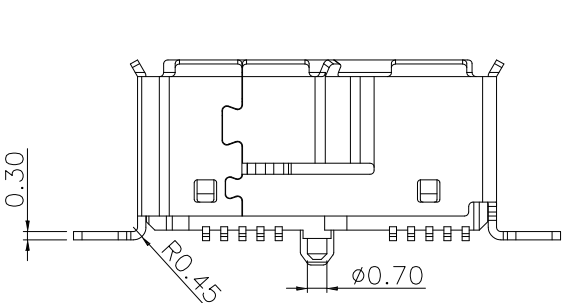
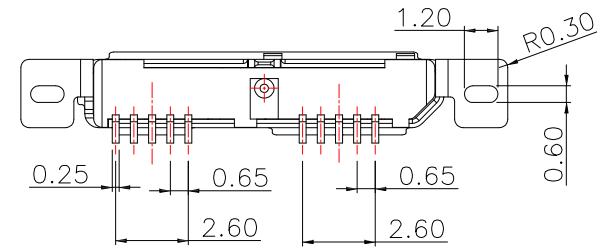
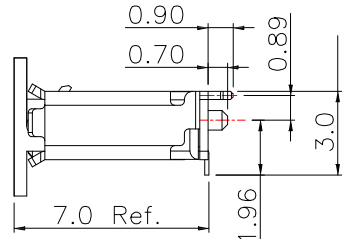
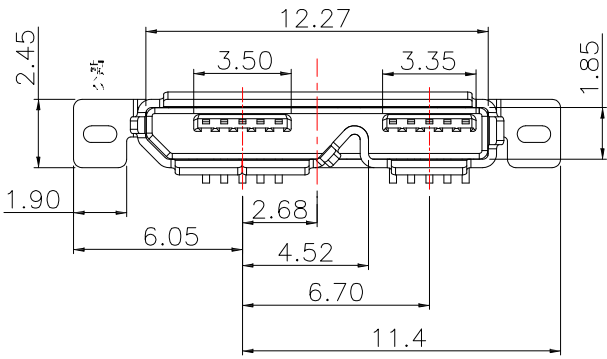
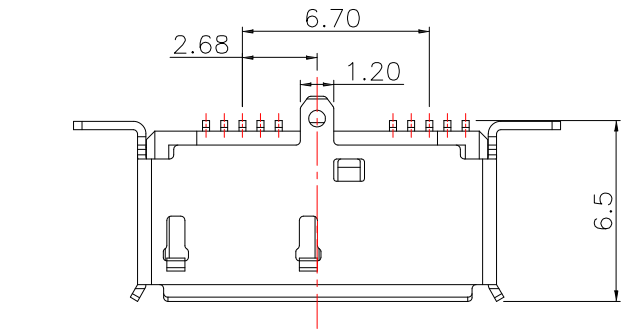
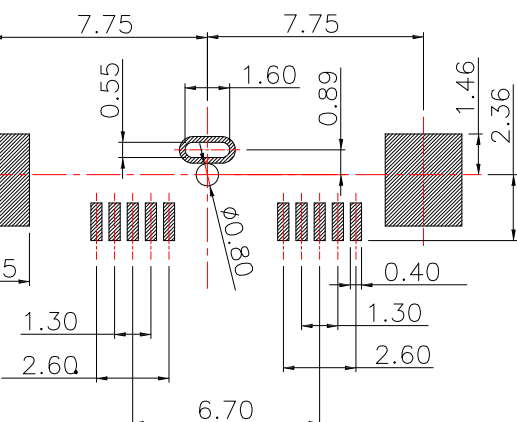


MRUSB-10B30xVSE-S242

鍍層厚度:

Blank	1u"
2	15u"
3	30u"



4	CAP	1	LCP	UL94V-0; COLOR:BLACK
3	SHELL	1	SUS304	Nickel under Plated surface layer
2	CONTACT	10	BRASS	Plated Gold in Mating Area ; Tin Plated on Solder Balls ; Nickel under plated overall
1	HOUSING	1	LCP	UL94V-0; COLOR:BLACK
NO	TITLF	O'TY	MATFRIAL	RFMARK

**CONTACT** 建倚科技股份有限公司  
CONTACT TECHNOLOGY CORP.

TOLERANCE UNLESS OTHERWISE STATED:  
 Up to 5 ±0.2  
 Above 5 ~ 15 ±0.3  
 Above 15 ~ 30 ±0.4  
 Above 30 ~ 50 ±0.5  
 Angle ±0.3°

3RD. ANGEL'S

UNITS MM

DRAWN BY:	DATE	MAT'L	TITLE	CONNECTOR
Jack Lu	03/03/14			
CHECKED BY:	DATE	FINISH	MODLE	MICRO 3.0 B TYPE 直立式 有柱
Jacky Chen	03/03/14			
APPROVED BY:	DATE	SCALE	DWG NO.	MRUSB-10B30xVSE-S242
Tony Kao	03/03/14	1 : 1		
		SHEET NO.	PART NO.	MRUSB-10B30xVSE-S242
		1 of 1		

ITEM NO.	DESCRIPTION	DRAWN	DATE