



MRUSB-5B-ED9x-S347

SHELL鍍層:

| |
|----|
| TN |
| NI |

NOTES:

1.MATERIAL:

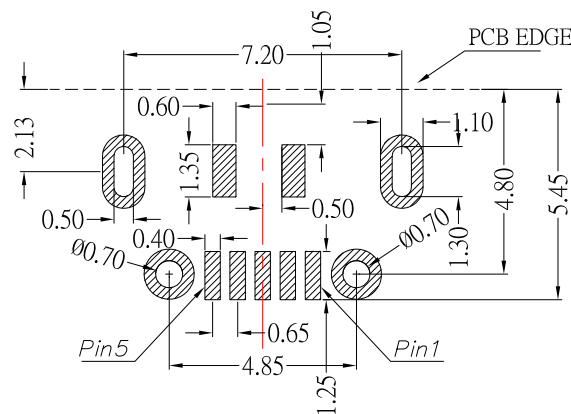
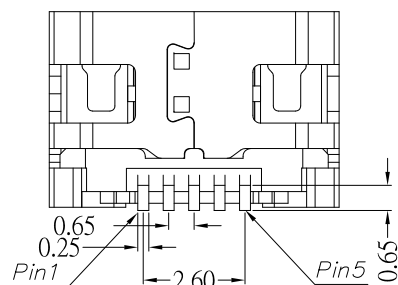
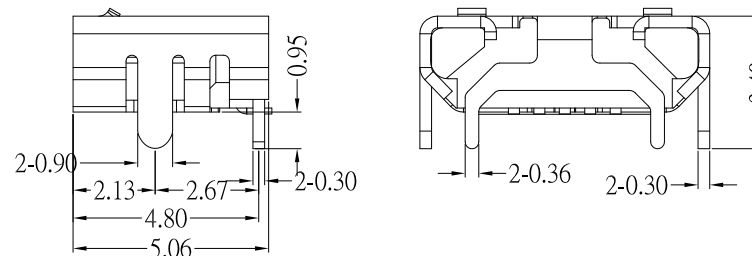
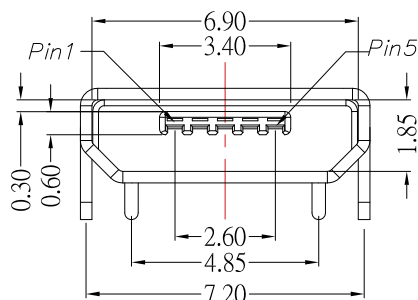
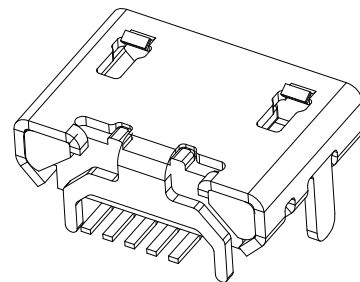
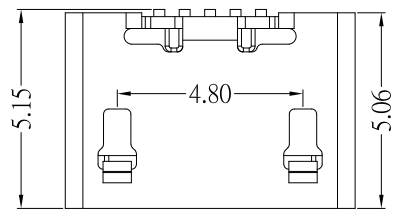
- 1.1 HOUSING: LCP
- 1.2 CONTACT: PHOSPHOR BRONZE
- 1.3 SHELL: BRASS

2.Finish:

- 2.1 Contact: Plated Gold in Mating Area ;
Gold Plated on Solder Balls ;
Nickel under plated overall
- 2.2 Shell: Tin or Nickel under Plated surface layer

3.SPECIFICATION:

- 3.1 CURRENT RATING: 1.0 A MAX
- 3.2 DIELECTRIC WITHSTANDING VOLTAGE:
100 V(ac) FOR 1min
- 3.3 CONTACT RESISTANCE: 30 mΩ MAX.
- 3.4 INSULATION RESISTANCE: 100 MΩ MIN.
- 3.5 TOTAL MATING FORCE: 3.57 Kgf MAX.
- 3.6 TOTAL UNMATING FORCE: 1.0 Kgf MIN.
- 3.7 LIFE: 10,000 CYCLES
- 3.8 TEMPERATURE RANGE: -30°C ~ +80°C



P.C.B LAYOUT MOUNTING PATTERN

CONTACT 建倚科技股份有限公司
CONTACT TECHNOLOGY CORP.

TOLERANCE UNLESS OTHERWISE STATED:
Up to 5 ±0.2
Above 5 ~ 15 ±0.3
Above 15 ~ 30 ±0.4
Above 30 ~ 50 ±0.5
Angle ±0.3

3RD. ANGEL'S
UNITS MM

| | | | | |
|--------------|----------|-----------|----------|-------------------------------------|
| DRAWN BY: | DATE | MAT'L | TITLE | CONNECTOR |
| Jack Lu | 07/05/18 | | | |
| CHECKED BY: | DATE | FINISH | MODLE | MICRO USB 5BF 牛角型(PH7.15-4.85),無捲邊 |
| Jacky Chen | 07/05/18 | | | |
| APPROVED BY: | DATE | SCALE | DWG NO. | MRUSB-5B-ED9x-S347 |
| Tony Kao | 07/05/18 | 1 : 1 | PART NO. | MRUSB-5B-ED9x-S347 |
| | | SHEET NO. | 1 of 1 | SIZE A4 |
| | | | | VER R1 |

| | | | |
|----------|-------------|-------|--------|
| 1 | 新增SHELL鍍層選項 | Jack | 070518 |
| ITEM NO. | DESCRIPTION | DRAWN | DATE |