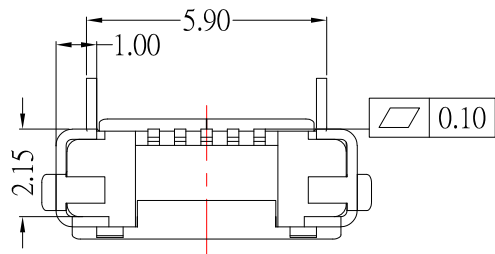


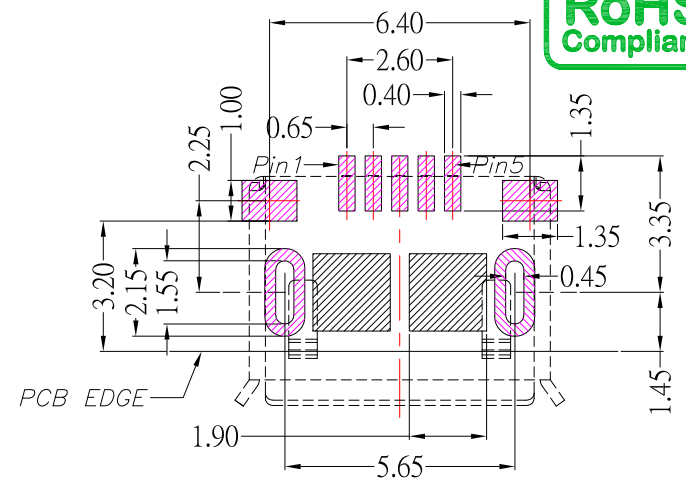


MRUSB-5B-D5x-S347

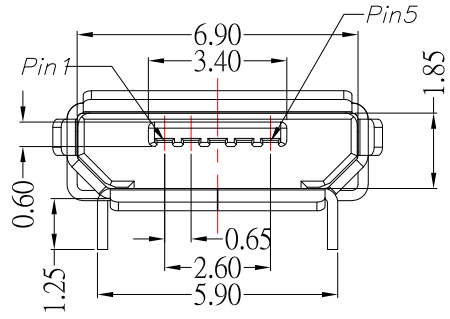
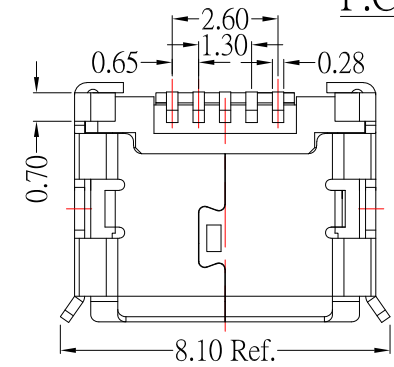
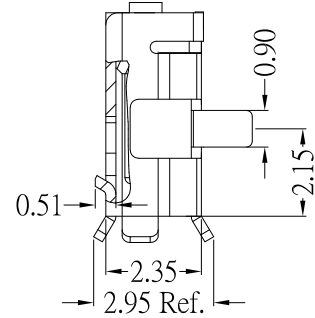
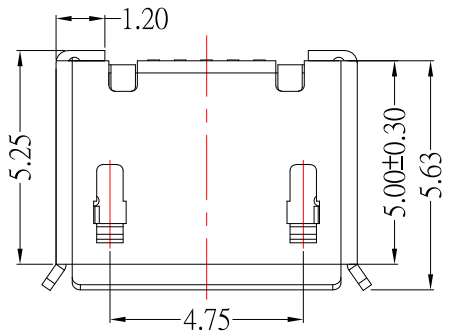
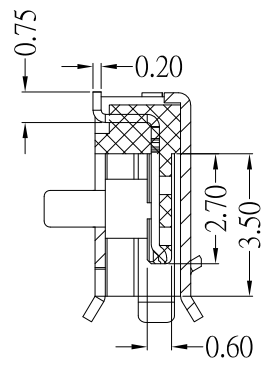


SHELL 鍍層:

TN
NI



P.C.B LAYOUT



NOTES:

MATERIAL:

- 1.1 HOUSING: LCP,UL94V-0
- 1.2 CONTACT: PHOSPHOR BRONZE
- 1.3 SHELL: BRASS

Finish:

- 2.1 Contact: Plated Gold in Mating Area ;
Gold Plated on Solder Balls
Nickel under plated overall
- 2.2 Shell: Nickel or Tin under Plated surface layer

3.SPECIFICATION:

- 3.1 CURRENT RATING: 1.8 A(PIN1 & 5) ; 1.0 A(PIN2 & 3 &4)
- 3.2 DIELECTRIC WITHSTANDING VOLTAGE: 100 V(ac) FOR 1min
- 3.3 CONTACT RESISTANCE: 30 mΩ MAX.
- 3.4 INSULATION RESISTANCE: 100 MΩ MIN.
- 3.5 TOTAL MATING FORCE: 3.57 KgF MAX.
- 3.6 TOTAL UNMATING FORCE: 1.0 KgF MIN.
- 3.7 TEMPERATURE RANGE: -30°C ~ +80°C

3	更新材質和SPEC	Jack	111925
2	新增尺寸	Jack	070820
1	更新底部樣式	Jack	022719
ITEM NO.	DESCRIPTION	DRAWN	DATE

CONTACT 建倚科技股份有限公司
CONTACT TECHNOLOGY CORP.

TOLERANCE UNLESS OTHERWISE STATED :

Up to 5	±0.2
Above 5 ~ 15	±0.3
Above 15 ~ 30	±0.4
Above 30 ~ 50	±0.5
Angle	±0.3°

3RD. ANGEL'S

UNITS MM

DRAWN BY:	DATE	MAT'L	TITLE	CONNECTOR
Jack Lu	11/19/25			
CHECKED BY:	DATE	FINISH	MODLE	MICRO USB 5BF 前插 (5.65)後貼無柱
Jacky Chen	11/19/25			
APPROVED BY:	DATE	SCALE	DWG NO.	MRUSB-5B-D5x-S347
Tony Kao	11/19/25	1 : 1		
		SHEET NO.	PART NO.	MRUSB-5B-D5x-S347
		1 of 1		
			SIZE	A4
			VER	R3