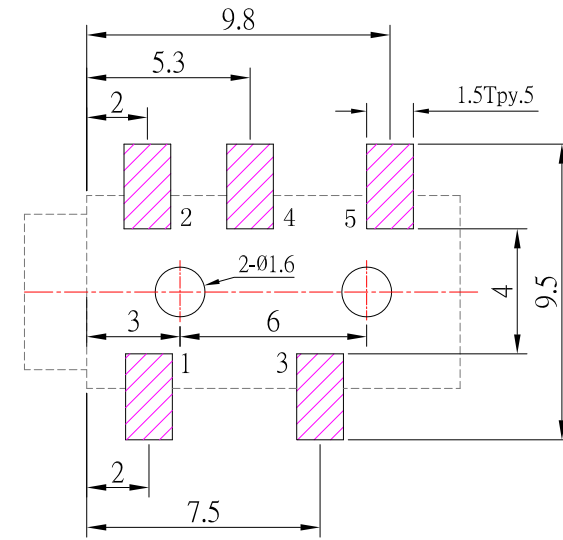
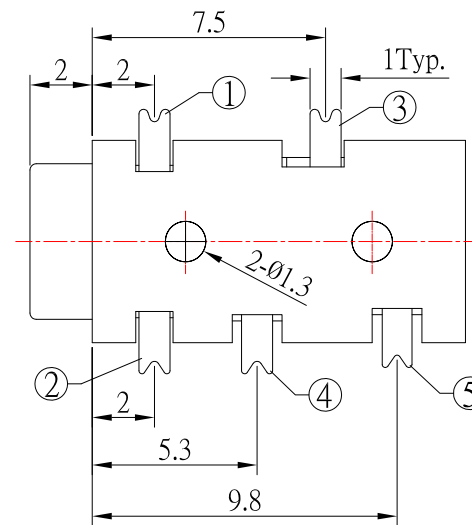


P.C.B LAYOUT
TOP VIEW

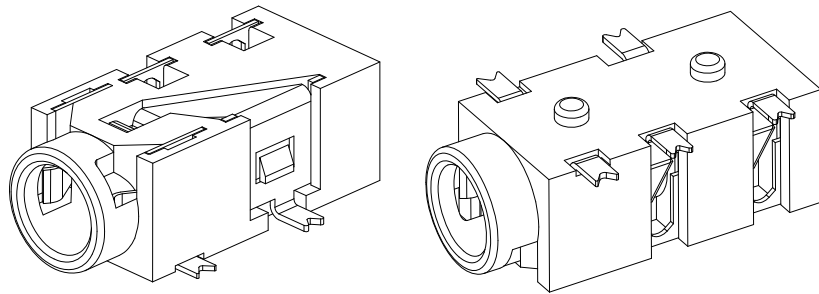
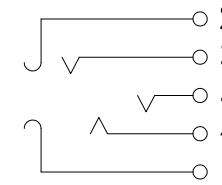


SPECIFICATION

1. Rating : DC 30V 0.5A ;
2. Contact resistance : $\leq 0.03 \Omega$;
3. Insulation resistance : $\geq 100M\Omega$ (DC250V) ;
4. Withstand voltage : 500VAC ;
5. Insertion and extraction force : 3-20N;
6. life test : 5,000 cycles °



SCHEMATIC



| 6 | HOUSING | 1 | HTN | |
|-----|-----------------|-----|-----------------|------------|
| 5 | 5# CONTACT FOOT | 1 | STAINLESS STEEL | Ag-Plating |
| 4 | 4# CONTACT FOOT | 1 | STAINLESS STEEL | Ag-Plating |
| 3 | 3# CONTACT FOOT | 1 | PHOSPHOR BRONZE | Ag-Plating |
| 2 | 2# CONTACT FOOT | 1 | PHOSPHOR BRONZE | Ag-Plating |
| 1 | 1# CONTACT FOOT | 1 | PHOSPHOR BRONZE | Ag-Plating |
| NO. | DESCRIPTION | QTY | MATERIAL | PLATING |

CONTACT 建倚科技股份有限公司
CONTACT TECHNOLOGY CORP.

TOLERANCE UNLESS OTHERWISE STATED :
 Up to 5 ±0.2
 Above 5 ~ 15 ±0.3
 Above 15 ~ 30 ±0.4
 Above 30 ~ 50 ±0.5
 Angle ±0.3°

3RD. ANGEL'S

UNITS MM

| | | | | |
|--------------|----------|-----------|----------|------------|
| DRAWN BY: | DATE | MAT'L | TITLE | JACK |
| Frank Wu | 12/07/11 | | MODLE | PHONE JACK |
| CHECKED BY: | DATE | FINISH | SCALE | 1 : 1 |
| Jacky Chen | 12/07/11 | | DWG NO. | PJ-S3027F |
| APPROVED BY: | DATE | SHEET NO. | PART NO. | PJ-S3027F |
| Tony Kao | 12/07/11 | 1 of 1 | | |

| 1 | 料號更新 | FrankWu | 082412 |
|----------|-------------|---------|--------|
| ITEM NO. | DESCRIPTION | DRAWN | DATE |