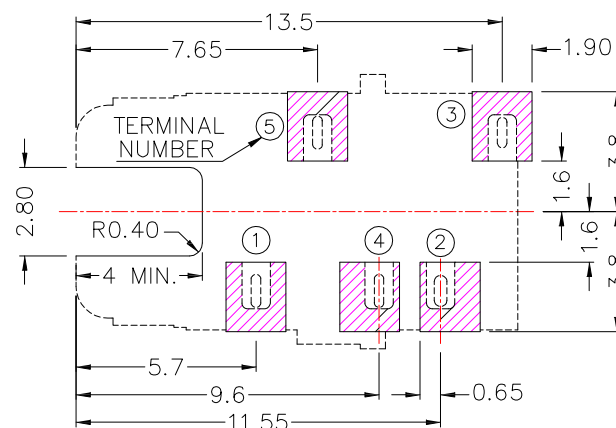
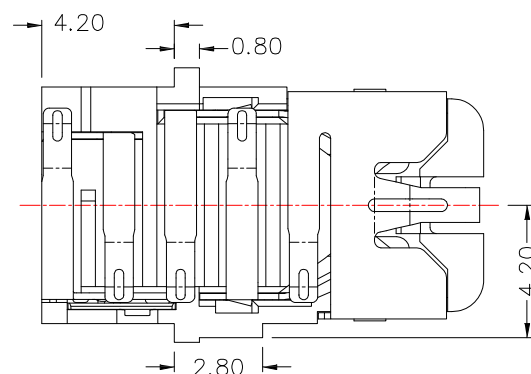
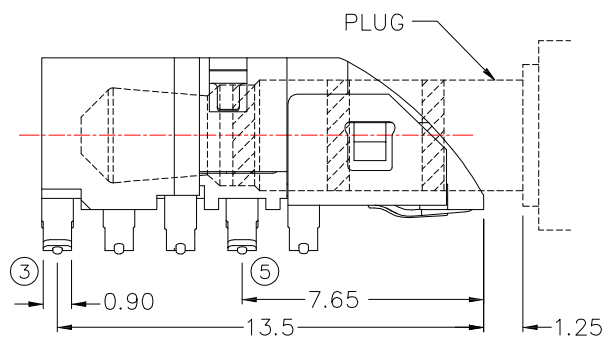
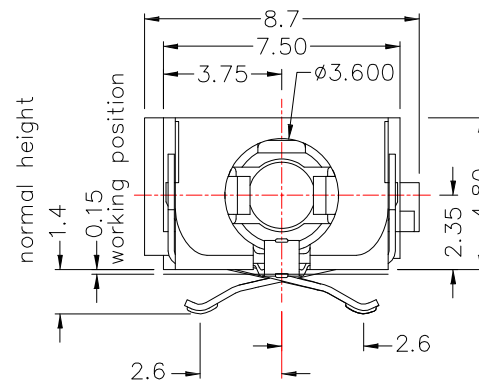


SPECIFICATION

1. Rating : DC 12V 1.0A
2. Contact resistance : $\leq 50m\Omega$
3. Insulation resistance : $\geq 100M\Omega$
4. Withstand voltage : 500VAC
5. Insertion and extraction force : 3-30N
6. life test : 5,000 cycles

* MATERIAL

- TERMINAL 1 : COPPER ALLOY
- TERMINAL 2 : COPPER ALLOY
- TERMINAL 3 : COPPER ALLOY
- TERMINAL 4 : COPPER ALLOY
- TERMINAL 5 : COPPER ALLOY
- SPRING : COPPER ALLOY
- HOUSING : PA6T



PCB LAYOUT
(TOP VIEW)

CONTACT 建倚科技股份有限公司
CONTACT TECHNOLOGY CORP.

TOLERANCE UNLESS OTHERWISE STATED:
 Up to 5 ±0.2
 Above 5 ~ 15 ±0.3
 Above 15 ~ 30 ±0.4
 Above 30 ~ 50 ±0.5
 Angle ±0.3

3RD. ANGEL'S



UNITS MM

DRAWN BY: Jack Lu DATE: 11/03/15
 CHECKED BY: Jacky Chen DATE: 11/03/15
 APPROVED BY: Tony Kao DATE: 11/03/15

MAT'L		TITLE	JACK
FINISH		MODLE	PHONE JACK
SCALE	1 : 1	DWG NO.	PJ-5285-H3
SHEET NO.	1 of 1	PART NO.	PJ-5285-H3
		SIZE	A4
		VER	R1

ITEM NO.	DESCRIPTION	DRAWN	DATE
1	新增SPEC	Jack	110315