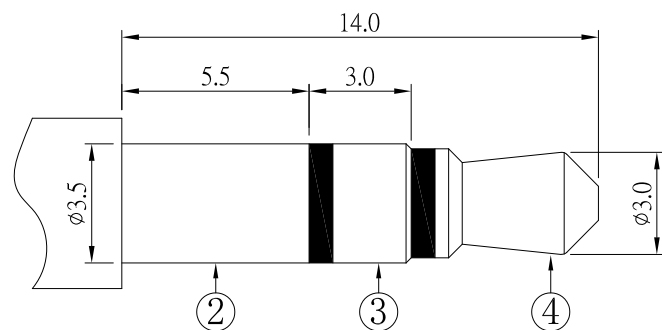
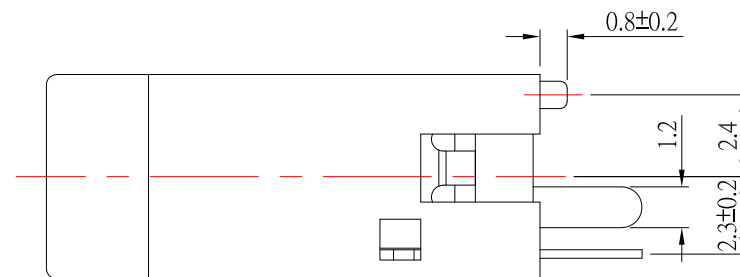
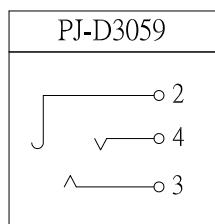


P.C.B LAYOUT
(TOP VIEW)



Ø3.50mm 3 POLE PLUG

SCHEMATIC



SPECIFICATION

1. Rating : DC 30V, 1.0A ;
2. Contact resistance : $\leq 30\text{m}\Omega$;
3. Insulation resistance : $\geq 100\text{M}\Omega$;
4. Withstand voltage : 500VAC ;
5. Insertion and extraction force : 3-30N ;
6. Life test : 5,000 cycles °

NO.	DESCRIPTION	QTY	MATERIAL	REMARK
4	CONTACT FOOT	1	Phosphor Bronze	Ag-Plated
3	CONTACT FOOT	1	Phosphor Bronze	Ag-Plated
2	CONTACT FOOT	1	Phosphor Bronze	Ag-Plated
1	HOUSING	1	PBT	

CONTACT 建倚科技股份有限公司
CONTACT TECHNOLOGY CORP.

ITEM NO.	DESCRIPTION	DRAWN	DATE
2	更新尺寸	Jack	093025
1	加标尺寸	LAN	060820

TOLERANCE UNLESS OTHERWISE STATED :	Up to 5 ±0.2	Above 5 ~ 15 ±0.3	Above 15 ~ 30 ±0.4	Above 30 ~ 50 ±0.5	Angle ±0.3°	3RD. ANGEL'S	UNITS	MM
-------------------------------------	--------------	-------------------	--------------------	--------------------	-------------	--------------	-------	----

DRAWN BY:	DATE	MAT'L	TITLE	JACK
Jack Lu	09/30/25	FINISH	MODLE	PHONE JACK
CHECKED BY:	DATE	SCALE	DWG NO.	PJ-D3059-S124
Jacky Chen	09/30/25	1 : 1	PART NO.	PJ-D3059-S124
APPROVED BY:	DATE	SHEET NO.	1 of 1	
Tony Kao	09/30/25			

SIZE A4
VER R2