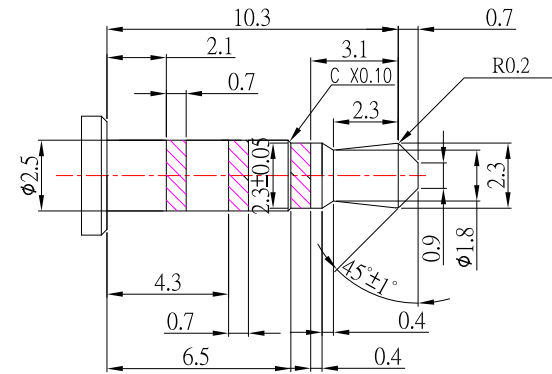
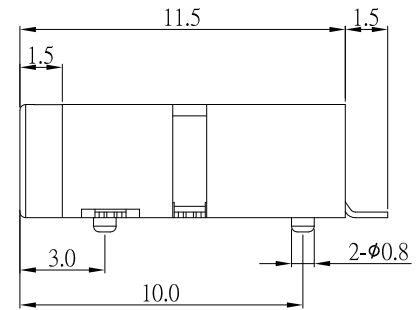
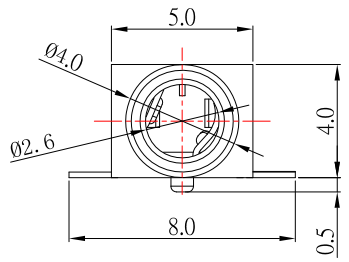
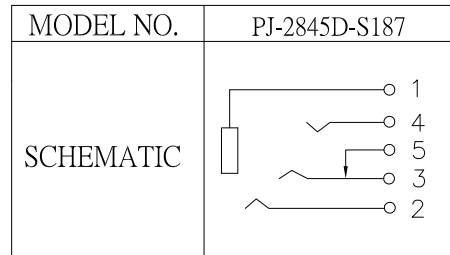


P.C.B LAYOUT



SPECIFICATION

- 1.Rating : DC 50V 0.3A
- 2.Contact resistance : $\leq 30m\Omega$
- 3.Insulation resistance : $\geq 100M\Omega$
- 4.Withstand voltage : 500VAC
- 5.Insertion and extraction force : 3-30N
- 6.life test : 5,000 cycles



⑥	HOUSING	1	PA-9T (Black)	
⑤	TERMINAL #5	1	PHOSPHOR BRONZE	Ag-Plated
④	TERMINAL #4	1	PHOSPHOR BRONZE	Ag-Plated
③	TERMINAL #3	1	PHOSPHOR BRONZE	Ag-Plated
②	TERMINAL #2	1	PHOSPHOR BRONZE	Ag-Plated
①	TERMINAL #1	1	PHOSPHOR BRONZE	Ag-Plated
No.	PART NAME	QTY	MATERIAL (THICK, COLOR)	REMARK

CONTACT 建倚科技股份有限公司
CONTACT TECHNOLOGY CORP.

TOLERANCE UNLESS OTHERWISE STATED:
 Up to 5 ±0.2
 Above 5 ~ 15 ±0.3
 Above 15 ~ 30 ±0.4
 Above 30 ~ 50 ±0.5
 Angle ±0.3°

3RD. ANGEL'S

UNITS MM

DRAWN BY:	DATE	MAT'L	TITLE	JACK
Jack Lu	11/04/15		MODLE	PHONE JACK
CHECKED BY:	DATE	SCALE	DWG NO.	PJ-2845D-S187
Jacky Chen	11/04/15	1 : 1	PART NO.	PJ-2845D-S187
APPROVED BY:	DATE	SHEET NO.	1 of 1	
Tony Kao	11/04/15			
			SIZE	A4
			VER	R2

2	新增SPEC	Jack	110415
1	更新料號	Jack	041814
ITEM NO.	DESCRIPTION	DRAWN	DATE