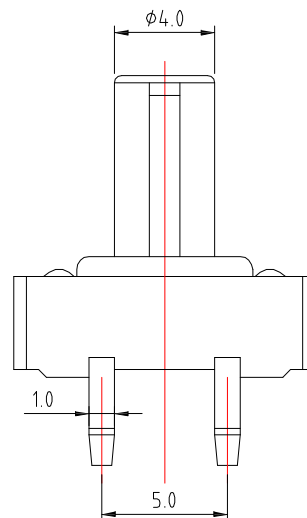
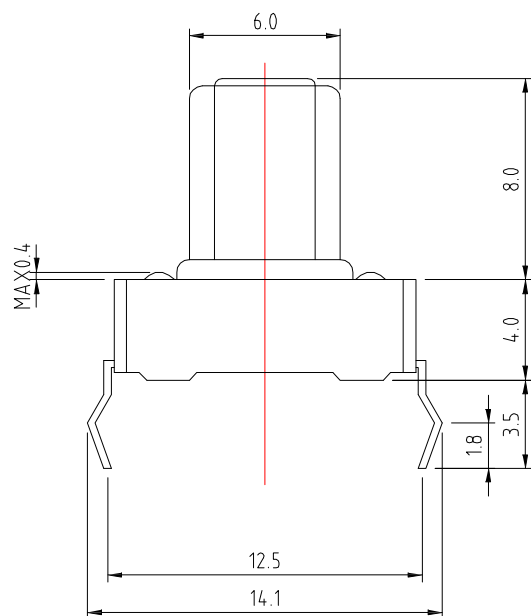


P.C.B. LAYOUT MOUNTING PATTERN

CIRCUIT DIAGRAM



SPECIFICATIONS

Rating	DC 12V 50mA Max.	
Contact Resistance	100mΩ Max.	
Travel	0.3 ± 0.15mm	
Operating Force	2 160 ± 50gf	3 250 ± 50gf
Operating Life (cycles)	100,000	80,000

CONTACT 建倚科技股份有限公司
CONTACT TECHNOLOGY CORP.

TOLERANCE UNLESS OTHERWISE STATED:
Up to 5 ±0.2
Above 5 ~ 15 ±0.3
Above 15 ~ 30 ±0.4
Above 30 ~ 50 ±0.5
Angle ±0.3

3RD. ANGEL'S



UNITS MM

DRAWN BY: Jack Lu
CHECKED BY: Jacky Chen
APPROVED BY: Tony Kao
DATE: 11/20/14

MAT'L		TITLE	SWITCH
FINISH		MODLE	TACT SWITCH
SCALE	1 : 1	DWG NO.	TS-A03A-x-S090
SHEET NO.	1 of 1	PART NO.	TS-A03A-x-S090

ITEM NO.	DESCRIPTION	DRAWN	DATE

SIZE A4
VER R