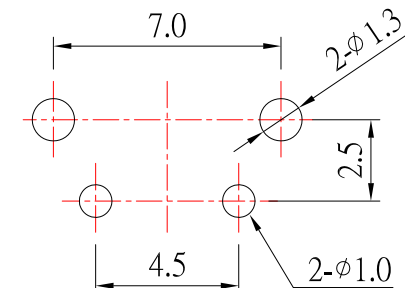
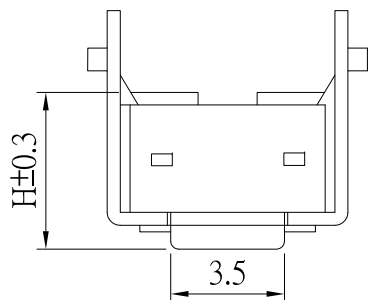




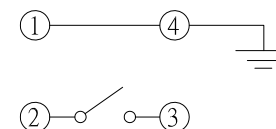
TS-A02Vx-x-x-S090

MODEL No | | Knob Color :
 Operating Force

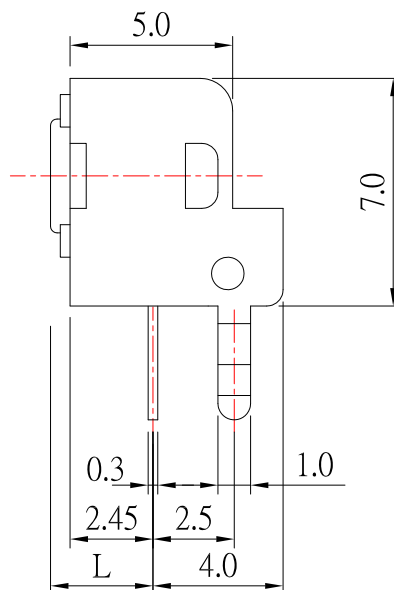
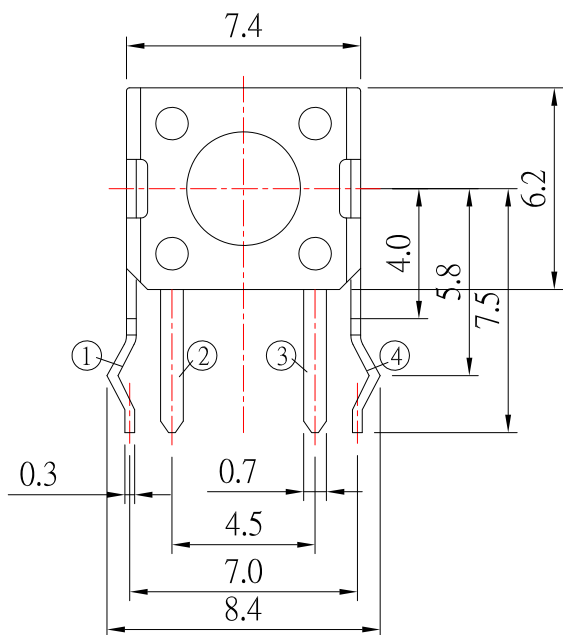
Black : Blank
White : W
Gray : GE
Red : R
Brown : BR



P.C.B LAY OUT



CIRCUIT DIAGRAM



MODEL NO.	TS-A02V	TS-A02VA	TS-A02VB	TS-A02VC	TS-A02VD	TS-A02VE	TS-A02VF	TS-A02VG	TS-A02VH
L (mm)	3.15	3.85	5.85	6.85	8.35	6.15	11.35	11.85	15.85
H (mm)	4.30	5.00	7.00	8.00	9.50	7.30	12.50	13.00	17.00

SPECIFICATIONS

Rating	DC 12V 50mA Max.		
Contact Resistance	50mΩ Max.		
Travel	0.25 ± 0.1mm		
Operating Force	0 100 ± 30gf	1 130 ± 30gf	2 160 ± 50gf 3 250 ± 50gf
Operating Life (cycles)	100,000		80,000

8	更新樣式	Ian	042519	10	新增尺寸公差	Jack	040920
7	新增顏色選項	Jack	042219	9	更新“H”標示位置	Jack	062519
6	更新樣式	Jack	032317				
5	更新樣式	Jack	093015				
4	新增“H”尺寸	Jack	073114				
3	更新尺寸	Jack	072914				
2	更新尺寸及新增OF選項	Jack	081213				
1	更新圖面比例	Jack	050713				
ITEM NO	DESCRIPTION	DRAWN	DATE				



建倚科技股份有限公司
CONTACT TECHNOLOGY CORP.

TOLERANCE UNLESS OTHERWISE STATED:

Up to 5 ±0.2
 Above 5 ~ 15 ±0.3
 Above 15 ~ 30 ±0.4
 Above 30 ~ 50 ±0.5
 Angle ±0.3

3RD. ANGEL'S



UNITS MM

DRAWN BY:	DATE	MAT'L	TITLE	SWITCH
Jack Lu	04/09/20		MODLE	TACT SWITCH
CHECKED BY:	DATE	FINISH	SCALE	1 : 1
Jacky Chen	04/09/20		DWG NO.	TS-A02Vx-x-x-S090
APPROVED BY:	DATE	SHEET NO.	PART NO.	TS-A02Vx-x-x-S090
Tony Kao	04/09/20	1 of 1	SIZE	A4
			VER	R10