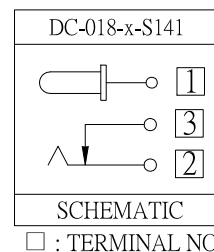
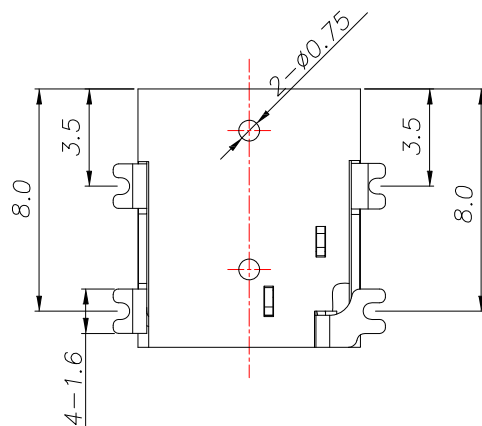
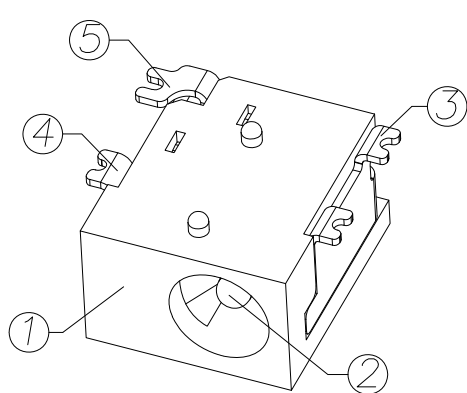


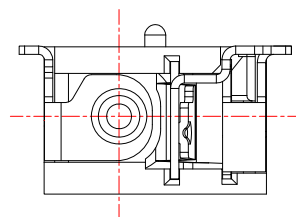
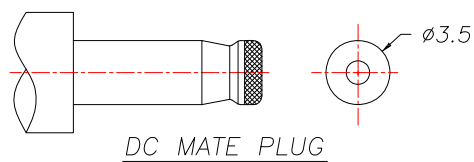
RECOMENDED P.C.B LAYOUT
(COPPER-SIDED VIEW)



Model NO.	DC-018-1.0	DC-018-1.3
X	φ1.0	φ1.3

SPECIFICATION

1. Rating : DC 18V 3.0A
2. Contact resistance : ≤ 30mΩ
3. Insulation resistance : ≥ 100MΩ (DC 250V)
4. Withstand voltage : 500VAC
5. Insertion and extraction force : 3-30N
6. life test : 5,000 cycles



5	Shunt Terminal	3	1	Brass	Ag-Plating
4	Tip Spring	2	1	Phosphor Bronze	Ag-Plating
3	Center Pin Terminal	1	1	Brass	Ag-Plating
2	Center Pin	1	1	Brass	CuSn / Ni-Plating
1	Housing		1	PA9T	
NO.	DESCRIPTION		QTY	MATERIAL	REMARK

CONTACT 建倚科技股份有限公司
CONTACT TECHNOLOGY CORP.

TOLERANCE UNLESS OTHERWISE STATED :
 Up to 5 ±0.2
 Above 5 ~ 15 ±0.3
 Above 15 ~ 30 ±0.4
 Above 30 ~ 50 ±0.5
 Angle ±0.3

3RD. ANGEL'S

UNITS MM

DRAWN BY:	DATE	MAT'L	TITLE	JACK
Jack Lu	12/09/13			
CHECKED BY:	DATE	FINISH	MODLE	DC JACK
Jacky Chen	12/09/13			
APPROVED BY:	DATE	SCALE	DWG NO.	DC-018-x-S141
Tony Kao	12/09/13	1 : 1		
		SHEET NO.	PART NO.	DC-018-x-S141
		1 of 1		

ITEM NO.	DESCRIPTION	DRAWN	DATE