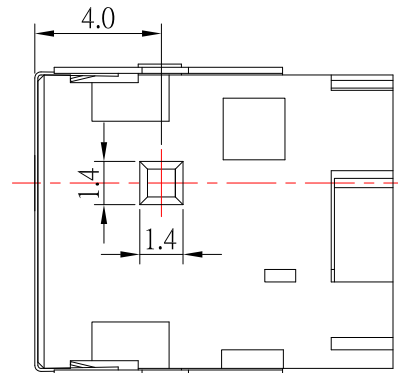


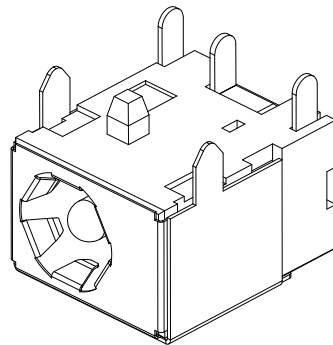
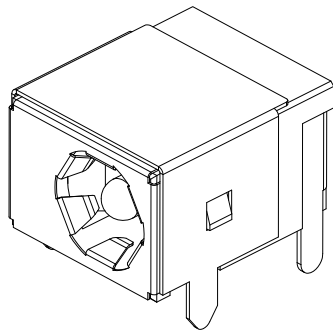
P.C.B LAYOUT  
TOP VIEW

MODEL NO.	DC-048S5-x
SCHEMATIC	
CENTER PIN	φ 1.65mm
	φ 2.0mm
	φ 2.5mm



**SPECIFICATION**

1. Rating : DC 30V 2.0A ;
2. Contact resistance :  $\leq 30m\Omega$  ;
3. Insulation resistance :  $\geq 100M\Omega$  ;
4. Withstand voltage : 500VAC ;
5. Insertion and extraction force : 3-20N;
6. life test : 5,000 cycles °



NO.	DESCRIPTION	QTY	MATERIAL	PLATING
⑦	COVER	1	SUS	Ni-Plating
⑥	CONTACT FOOT	1	PHOSPHOR BRONZE	Ag-Plating
⑤	PIN	1	BRASS	Ni-Plating
④	CONTACT FOOT	1	BRASS	Ag-Plating
③	CURVE PIECE	1	BRASS	Ag-Plating
②	SPRING PIECE	1	SUS	Ag-Plating
①	HOUSING	1	PA9T	

**CONTACT** 建倚科技股份有限公司  
CONTACT TECHNOLOGY CORP.

TOLERANCE UNLESS OTHERWISE STATED :  
 Up to 5 ±0.2  
 Above 5 ~ 15 ±0.3  
 Above 15 ~ 30 ±0.4  
 Above 30 ~ 50 ±0.5  
 Angle ±0.3

3RD. ANGEL'S UNITS MM

DRAWN BY:	DATE	MAT'L	TITLE	JACK
Jack Lu	05/03/18		MODLE	DC JACK 帶彈片
CHECKED BY:	DATE	FINISH	SCALE	1 : 1
Jacky Chen	05/03/18		DWG NO.	DC-048S5-x-S124
APPROVED BY:	DATE	SHEET NO.	PART NO.	DC-048S5-x-S124
Tony Kao	05/03/18	1 of 1		

ITEM NO.	DESCRIPTION	DRAWN	DATE
1	更新料號	Jack	050318