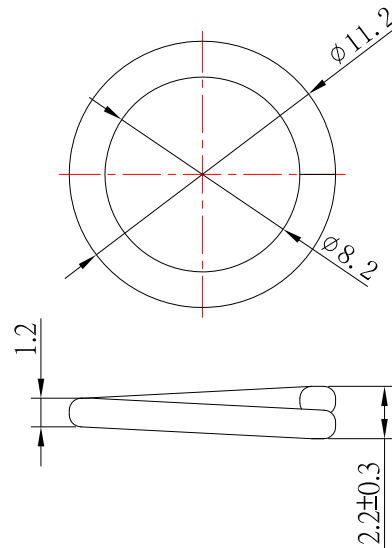
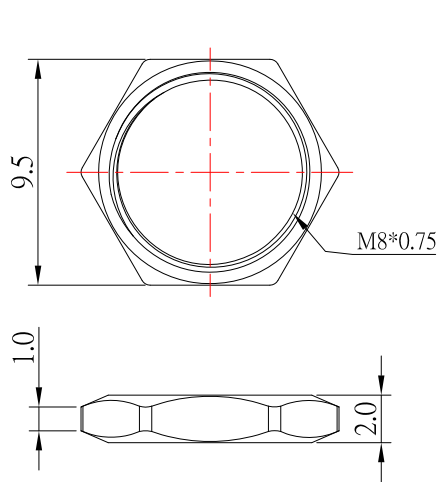


P.C.B LAYOUT MOUNTING PATTERN



MODEL NO.	DC-D025M-x-S124
SCHEMATIC	
CENTER PIN	φ2.0mm
	φ2.5mm

SPECIFICATION

1. Rating : DC 30V, 4.0A
2. Contact resistance : ≤ 30mΩ
3. Insulation resistance : ≥ 100MΩ
4. Withstand voltage : 500VAC
5. Insertion and extraction force : 3-20N
6. life test : 5,000 cycles

NO.	DESCRIPTION	QTY	MATERIAL	PLATING
8	SPLIT WASHER	1	IRON	Ni-Plating
7	NUT	1	BRASS	Ni-Plating
6	HOUSING	1	PBT	
5	AXIS SUPPORT	1	BRASS	Ni-Plating
4	PIN	1	BRASS	Ni-Plating
3	SPRING	1	BRONZE	Sn-Plating
2	2# CURVE PIECE	1	BRASS	Sn-Plating
1	1# CURVE PIECE	1	BRASS	Sn-Plating

CONTACT 建倚科技股份有限公司
CONTACT TECHNOLOGY CORP.

TOLERANCE UNLESS OTHERWISE STATED:
 Up to 5 ±0.2
 Above 5 ~ 15 ±0.3
 Above 15 ~ 30 ±0.4
 Above 30 ~ 50 ±0.5
 Angle ±0.3°

3RD. ANGEL'S

UNITS MM

DRAWN BY:	DATE	MAT'L	TITLE	JACK
Jack Lu	09/10/20		MODLE	DC JACK
CHECKED BY:	DATE	FINISH	SCALE	1 : 1
Jacky Chen	09/10/20		DWG NO.	DC-D025M-x-S124
APPROVED BY:	DATE	SHEET NO.	PART NO.	DC-D025M-x-S124
Tony Kao	09/10/20	1 of 1		

ITEM NO.	DESCRIPTION	DRAWN	DATE
2	更新尺寸	Jack	091020
1	更新Rating	Jack	032020