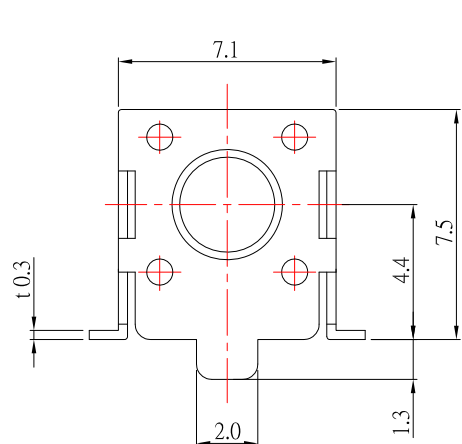
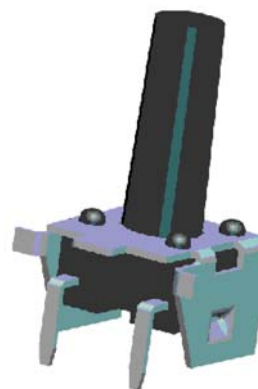




DIMENSIONS

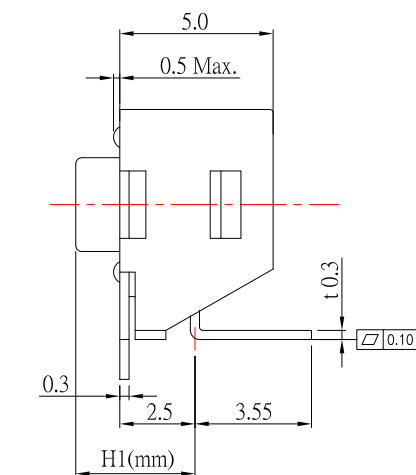


PRODUCT IMAGE



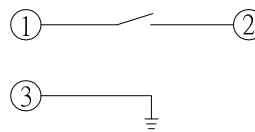
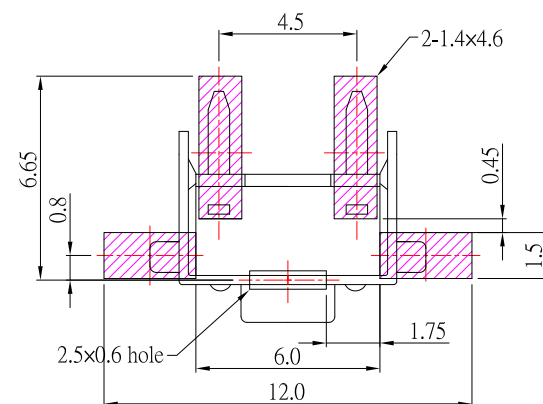
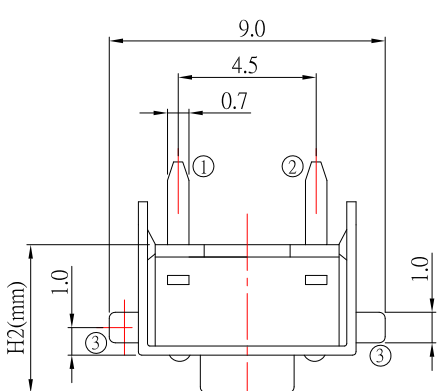
MODEL CODE

MODEL	H1	H2	ΦA
TS-A02U	3.15	4.3	3.5
TS-A02UA	3.85	5.0	3.5
TS-A02UB	5.85	7.0	3.4
TS-A02UC	6.85	8.0	3.4
TS-A02UD	8.35	9.5	3.4
TS-A02UE	6.15	7.3	3.4
TS-A02UF	11.35	12.5	3.0
TS-A02UG	12.35	13.5	3.0
TS-A02UI	15.85	17.0	3.0
TS-A02UJ	15.15	16.3	3.0
TS-A02UK	11.85	13.0	3.0
TS-A02UM	9.85	11.0	3.0
TS-A02UST	□ 2.4 X 2.4		



P.C.B MOUNTING PATTERN DIMENSION
The following soldering patterns are recommended for reflow soldering

CIRCUIT DIAGRAM



SPECIFICATIONS

Rating	DC 12V 50mA Max.
Contact Resistance	100mΩ Max.
Travel	0.25 ± 0.1mm
Operating Force	2 160 ± 50gf 3 260 ± 50gf
Operating Life (cycles)	100,000 (2-160 ± 50gf)
	80,000 (3-260 ± 50gf)

5	新增外觀厚度0.3mm	Jack	111214
4	更新 Pad外型及端子腳長度尺寸	Jack	101713
3	新增平整度公差	Jack	091813
2	新增尺寸	Jack	011513
1	Update drawing	FrankWu	082712
ITEM NO.	DESCRIPTION	DRAWN	DATE

CONTACT 建倚科技股份有限公司
CONTACT TECHNOLOGY CORP.

TOLERANCE UNLESS OTHERWISE STATED:
 Up to 5 ±0.2
 Above 5 ~ 15 ±0.3
 Above 15 ~ 30 ±0.4
 Above 30 ~ 50 ±0.5
 Angle ±0.3

3RD. ANGEL'S

UNITS MM

DRAWN BY:	DATE	MAT'L	TITLE	SWITCH
Jack Lu	11/12/14			
CHECKED BY:	DATE	FINISH	MODLE	TACT SWITCH
Jacky Chen	11/12/14			
APPROVED BY:	DATE	SCALE	DWG NO.	TS-A02Ux-x-S126
Tony Kao	11/12/14	1 : 1	PART NO.	TS-A02Ux-x-S126
		SHEET NO.	1 of 1	
				SIZE A4
				VER A3