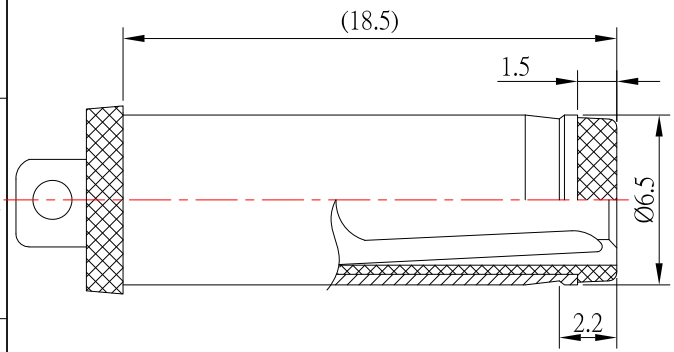
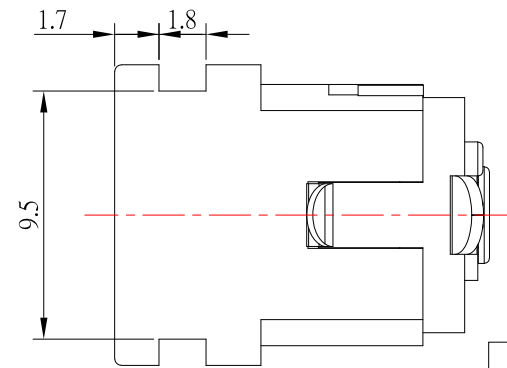


### P.C.B LAYOUT (TOP-VIEW)



RECOMMENDED PLUG



|           |                |
|-----------|----------------|
| MODEL NO. | DC-040AH-2-3.0 |
| SCHEMATIC |                |

#### SPECIFICATION

- 1.Rating : DC 30V, 6.0A ;
- 2.Contact resistance : ≤ 30mΩ ;
- 3.Insulation resistance : ≥ 100MΩ ;
- 4.Withstand voltage : 500VAC ;
- 5.Insertion and extraction force : 3-30N;
- 6.life test : 5,000 cycles °

| NO. | DESCRIPTION | QTY | MATERIAL        | PLATING    |
|-----|-------------|-----|-----------------|------------|
| 6   | COVER       | 1   | PA9T            |            |
| 5   | HOUSING     | 1   | PA9T            |            |
| 4   | FLAT PIECE  | 1   | BRASS           | Ag-Plating |
| 3   | SPRING      | 1   | PHOSPHOR BRONZE | Ag-Plating |
| 2   | CURVE PIECE | 1   | BRASS           | Ag-Plating |
| 1   | PIN         | 1   | BRASS           | Ni-Plating |

**CONTACT** 建倚科技股份有限公司  
CONTACT TECHNOLOGY CORP.

| ITEM NO. | DESCRIPTION | DRAWN | DATE   |
|----------|-------------|-------|--------|
| 2        | 更新鍍層        | Jack  | 072925 |
| 1        | 更新尺寸公差      | Jack  | 053121 |

TOLERANCE UNLESS OTHERWISE STATED :  
 Up to 5 ±0.2  
 Above 5 ~ 15 ±0.3  
 Above 15 ~ 30 ±0.4  
 Above 30 ~ 50 ±0.5  
 Angle ±0.3

3RD. ANGEL'S

UNITS MM

|              |          |           |          |                     |
|--------------|----------|-----------|----------|---------------------|
| DRAWN BY:    | DATE     | MATL      | TITLE    | JACK                |
| Jack Lu      | 07/29/25 |           |          |                     |
| CHECKED BY:  | DATE     | FINISH    | MODLE    | DC JACK(高溫料)        |
| Jacky Chen   | 07/29/25 |           |          |                     |
| APPROVED BY: | DATE     | SCALE     | DWG NO.  | DC-040AH-2-3.0-S124 |
| Tony Kao     | 07/29/25 | 1 : 1     |          |                     |
|              |          | SHEET NO. | PART NO. | DC-040AH-2-3.0-S124 |
|              |          | 1 of 1    |          |                     |

|      |    |
|------|----|
| SIZE | A4 |
| VER  | R2 |