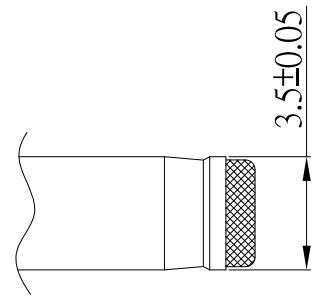
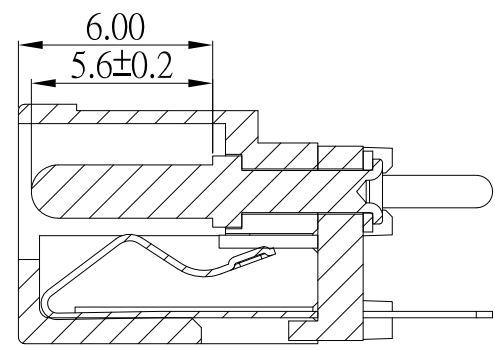
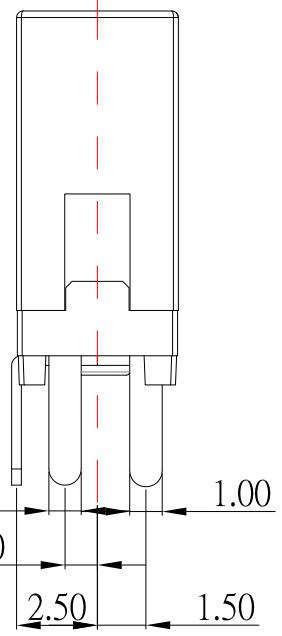
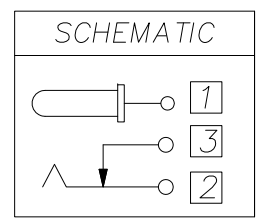


P.C.B LAYOUT
TOP VIEW



DC MATE PLUG



SPECIFICATION

1. Rating : DC 30V, 1.0A ;
2. Contact resistance : $\leq 30m\Omega$;
3. Insulation resistance : $\geq 100M\Omega$;
4. Withstand voltage : 500VAC ;
5. Insertion and extraction force : 3-30N;
6. life test : 5,000 cycles °

NO.	DESCRIPTION	QTY	MATERIAL	FINISH
⑥	SHUNT TERMINAL	3	BRASS	Ag-Plated
⑤	TIP SPRING	2	SUS	Ag-Plated
④	CENTER PIN TERMINAL	1	BRASS	Ag-Plated
③	CENTER PIN	1	BRASS	Ni-Plated
②	COVER	1	PBT(BLACK)	
①	HOUSING	1	PBT(BLACK)	
NO.	DESCRIPTION	QTY	MATERIAL	FINISH

CONTACT 建倚科技股份有限公司
CONTACT TECHNOLOGY CORP.

TOLERANCE UNLESS OTHERWISE STATED :
 Up to 5 ±0.2
 Above 5 ~ 15 ±0.3
 Above 15 ~ 30 ±0.4
 Above 30 ~ 50 ±0.5
 Angle ±0.3°
 3RD. ANGEL'S
 UNITS MM

DRAWN BY:	DATE	MAT'L	TITLE	JACK
Jack Lu	09/25/23		MODLE	DC JACK
CHECKED BY:	DATE	FINISH	SCALE	1 : 1
Jacky Chen	09/25/23		DWG NO.	DC-009V-1.65-S457
APPROVED BY:	DATE	SHEET NO.	PART NO.	DC-009V-1.65-S457
Tony Kao	09/25/23	1 of 1		

ITEM NO.	DESCRIPTION	DRAWN	DATE