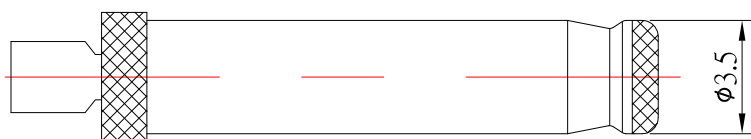
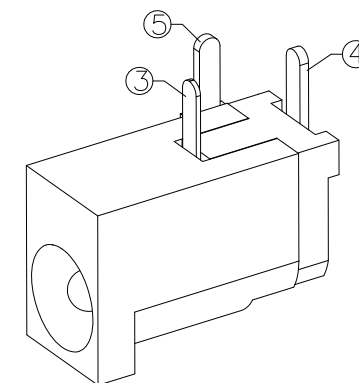


P.C.B LAYOUT
TOP VIEW



RECOMMENDED PLUG

| | |
|------------|-----------------|
| MODEL NO. | DC-009-1-x-S124 |
| SCHEMATIC | |
| CENTER PIN | φ1.0 mm |
| | φ1.3 mm |

SPECIFICATION

1. Rating : DC 30V 1.5A ;
2. Contact resistance : $\leq 30m\Omega$;
3. Insulation resistance : $\geq 100M\Omega$;
4. Withstand voltage : 500VAC ;
5. Insertion and extraction force : 3-20N;
6. life test : 5,000 cycles °

| NO. | DESCRIPTION | QTY | MATERIAL | FINISH |
|-----|-------------|-----|----------|-----------|
| 6 | PIN | 1 | BRASS | Ni-PLATED |
| 5 | CURVE PIECE | 1 | BRASS | Sn-PLATED |
| 4 | FLAT PIECE | 1 | BRASS | Sn-PLATED |
| 3 | SPRING | 1 | SUS | Sn-PLATED |
| 2 | COVER | 1 | PBT | |
| 1 | HOUSING | 1 | PBT | |

CONTACT 建倚科技股份有限公司
CONTACT TECHNOLOGY CORP.

TOLERANCE UNLESS OTHERWISE STATED:
 Up to 5 ±0.2
 Above 5 ~ 15 ±0.3
 Above 15 ~ 30 ±0.4
 Above 30 ~ 50 ±0.5
 Angle ±0.3°

3RD. ANGEL'S

UNITS MM

| | | | | |
|--------------|----------|-----------|----------|-----------------|
| DRAWN BY: | DATE | MAT'L | TITLE | JACK |
| Jack Lu | 06/20/19 | FINISH | MODLE | DC JACK |
| CHECKED BY: | DATE | SCALE | DWG NO. | DC-009-1-x-S124 |
| Jacky Chen | 06/20/19 | 1 : 1 | PART NO. | DC-009-1-x-S124 |
| APPROVED BY: | DATE | SHEET NO. | 1 of 1 | SIZE A4 |
| Tony Kao | 06/20/19 | VER | R3 | |

| ITEM NO. | DESCRIPTION | DRAWN | DATE |
|----------|-------------|-------|--------|
| 3 | 更新樣式 | Lan | 062019 |
| 2 | 更新圖面 | Jack | 112917 |
| 1 | 更新為A0版 | Jack | 100516 |