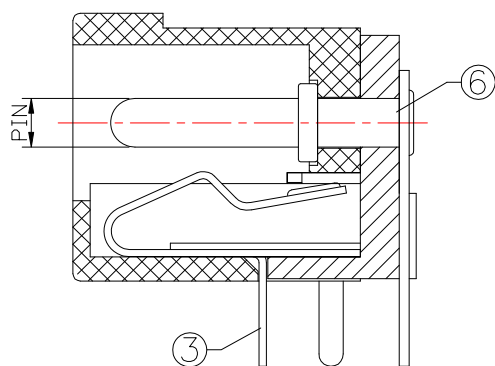


P.C.B LAYOUT  
TOP VIEW



**SPECIFICATION**

1. Rating : DC 30V 2.0A ;
2. Contact resistance :  $\leq 30m\Omega$  ;
3. Insulation resistance :  $\geq 100M\Omega$  ;
4. Withstand voltage : 500VAC ;
5. Insertion and extraction force : 3-30N;
6. life test : 5,000 cycles .

|            |               |
|------------|---------------|
| MODEL NO.  | DC-002-3-x    |
| SCHEMATIC  |               |
| CENTER PIN | $\phi 2.0$ mm |
|            | $\phi 2.5$ mm |

| NO. | DESCRIPTION  | QTY | MATERIAL        | PLATING    |
|-----|--------------|-----|-----------------|------------|
| 6   | PIN          | 1   | BRASS           | Ni-Plating |
| 5   | FLAT FOOT    | 1   | BRASS           | Sn-Plating |
| 4   | CURVE PIECE  | 1   | BRASS           | Sn-Plating |
| 3   | SPRING PIECE | 1   | PHOSPHOR BRONZE | Sn-Plating |
| 2   | COVER        | 1   | PBT             |            |
| 1   | HOUSING      | 1   | PBT             |            |

**CONTACT** 建倚科技股份有限公司  
CONTACT TECHNOLOGY CORP.

TOLERANCE UNLESS OTHERWISE STATED :  
 Up to 5 ±0.2  
 Above 5 ~ 15 ±0.3  
 Above 15 ~ 30 ±0.4  
 Above 30 ~ 50 ±0.5  
 Angle ±0.3

3RD. ANGEL'S

UNITS MM

|              |          |           |          |                 |
|--------------|----------|-----------|----------|-----------------|
| DRAWN BY:    | DATE     | MAT'L     | TITLE    | JACK            |
| Jack Lu      | 04/23/19 |           | MODLE    | DC JACK         |
| CHECKED BY:  | DATE     | SCALE     | DWG NO.  | DC-002-3-x-S124 |
| Jacky Chen   | 04/23/19 | 1 : 1     | PART NO. | DC-002-3-x-S124 |
| APPROVED BY: | DATE     | SHEET NO. | 1 of 1   |                 |
| Tony Kao     | 04/23/19 |           |          |                 |

| ITEM NO. | DESCRIPTION | DRAWN | DATE   |
|----------|-------------|-------|--------|
| 1        | 更新樣式        | Ian   | 042319 |