



SBC-240S4-31x-S412

鍍層厚度:

Blank : 1u"
2 : 15u"
3 : 30u"

SPECIFICATIONS

Electrical:

- 1.Current Rating: 5.0A
- 2.Voltage Rating: 20V
- 3.Contact Resistance: 40 mΩ Max
- 4.Insulation Resistance: 100 MΩ Min
- 5.Dielectric Withstanding Voltage: 100V AC

Mechanical:

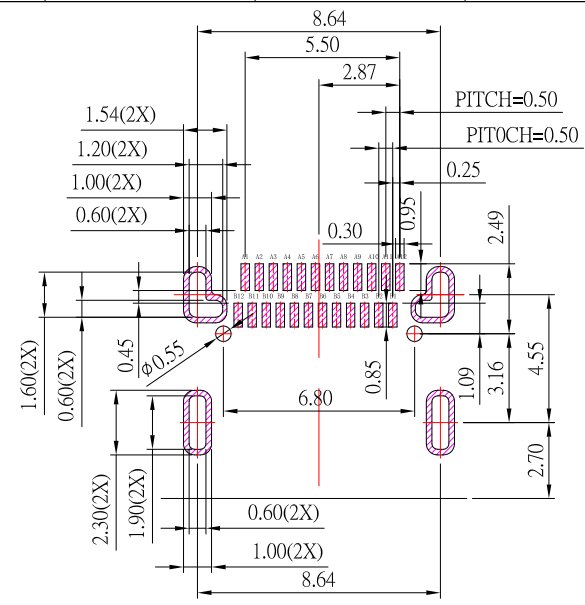
- 1.Connector Mate and Unmate Force
 - 1.1 Mate force: 5~20N
 - 1.2 Unmate force: 8~20N
 - 1.3 Operating temperature: -40°C ~ 105°C

Material:

- 1.Housing: LCP
- 2.Contact: C18400
- 3.Shell: SUS

Finish:

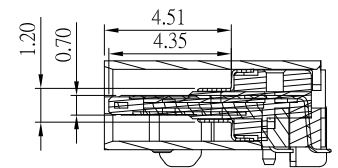
- 1.Contact: Plated Gold in Mating Area ;
Gold Plated on Solder Balls ;
Nickel under plated overall
- 2.Shell: Nickel under Plated surface layer



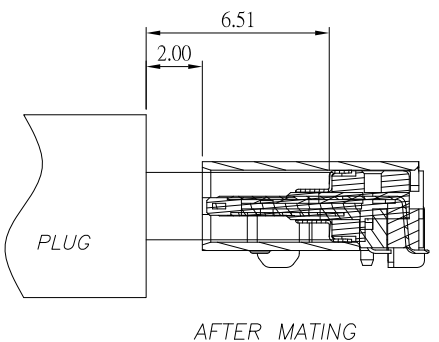
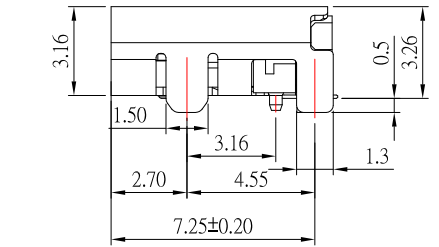
P.C.B LAYOUT MOUNTING PATTERN

USB TYPE-C PIN ASSIGNMENTS

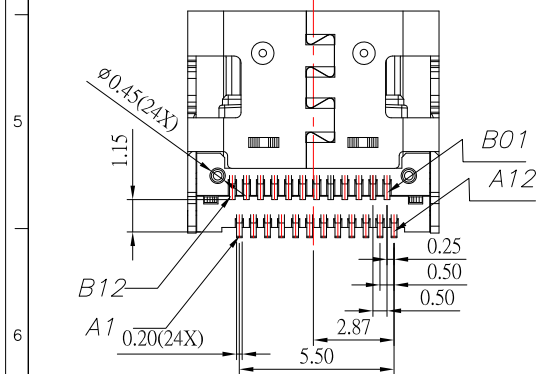
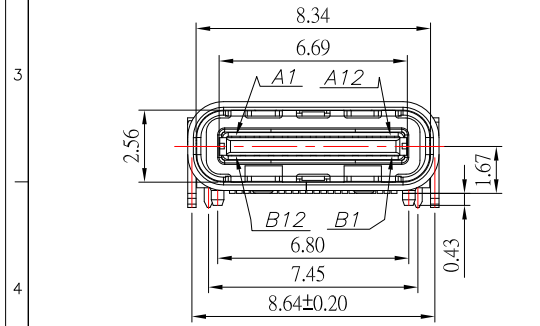
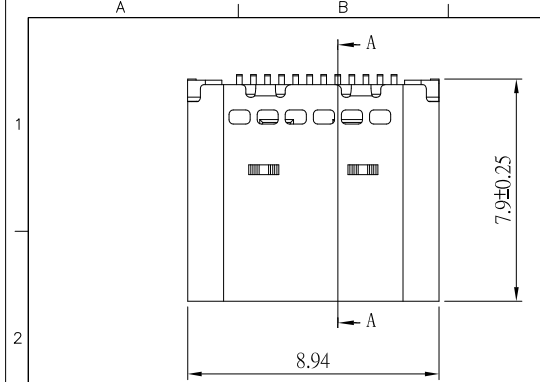
PIN NUMBER	SIGNAL NAME	PIN NUMBER	SIGNAL NAME
A1	GND	B12	GND
A2	SSTXp1	B11	SSRXp1
A3	SSTXn1	B10	SSRXn1
A4	Vbus	B9	Vbus
A5	CC1	B8	SBU2
A6	Dp1	B7	Dn2
A7	Dn1	B6	Dp2
A8	SBU1	B5	CC2
A9	Vbus	B4	Vbus
A10	SSRXn2	B3	SSTXn2
A11	SSRXp2	B2	SSTXp2
A12	GND	B1	GND



截面A-A



AFTER MATING



ITEM NO.	DESCRIPTION	DRAWN	DATE
8	更新PCB LAYOUT尺寸	Jack	121323
7	新增TID號碼	Jack	092823
6	新增PCB LAYOUT尺寸	Jack	090723
5	新增Operating temperature	Jack	070723
4	更新Contact材質	Jack	030923
3	更新Current Rating和Voltage Rating	Jack	080522
2	新增PCB LAYOUT	Jack	111121
1	更新樣式	Jack	011121



TOLERANCE UNLESS OTHERWISE STATED:	Up to 5 ±0.2	3RD. ANGEL'S	UNITS	MM
	Above 5 ~ 15 ±0.3			
	Above 15 ~ 30 ±0.4			
	Above 30 ~ 50 ±0.5			
	Angle ±0.3°			

DRAWN BY:	DATE	MAT'L	TITLE	CONNECTOR
Jack Lu	12/13/23		MODLE	USB 3.1 C TYPE SMT 板上雙貼
CHECKED BY:	DATE	FINISH	SCALE	1 : 1
Jacky Chen	12/13/23		DWG NO.	SBC-240S4-31x-S412
APPROVED BY:	DATE	SHEET NO.	PART NO.	SBC-240S4-31x-S412
Tony Kao	12/13/23	1 of 1	SIZE	A4
			VER	R8