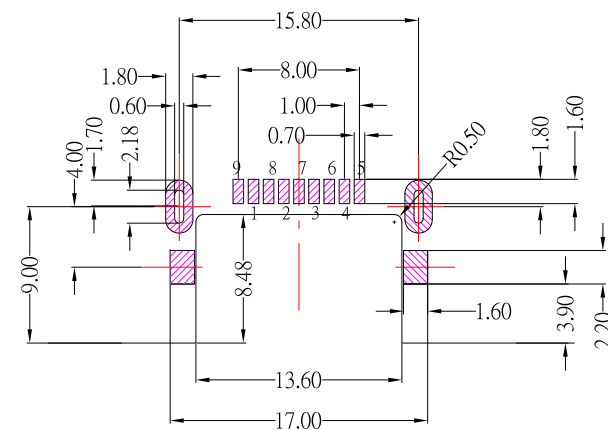
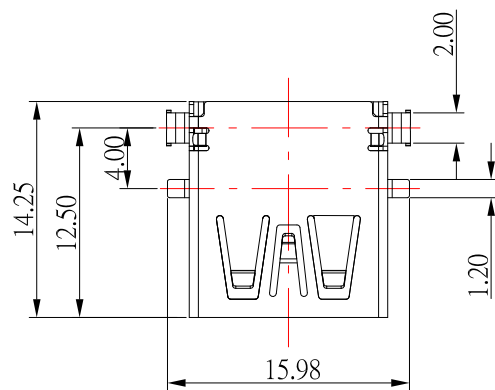




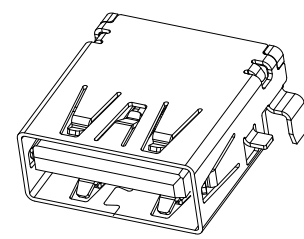
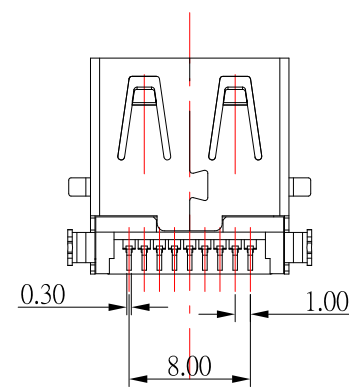
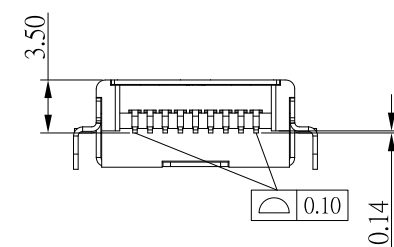
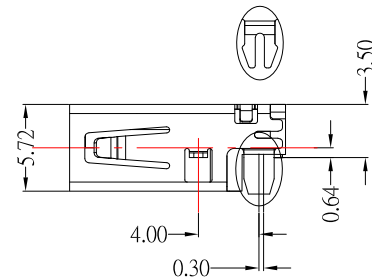
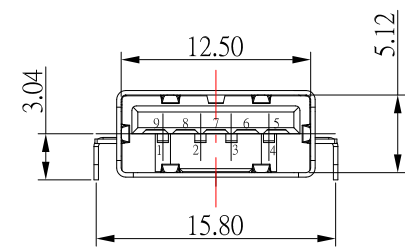
SUA-110M1A-30x-S277

鍍層厚度:

Blank : 1u"
2 : 15u"
3 : 30u"



RECOMMENDED PCBA LAYOUT



SPECIFICATIONS:

- 1.ELECTRICAL CHARACTERISTICS;
 - 1.1 CONTACT RESISTANCE: 30mΩ MAX
 - 1.2 DIELECTRIC WITHSTANDING VOLTAGE: 100 V 1 min
 - 1.3 INSULATION RESISTANCE: 100 MΩ MIN
 - 1.4 OPERATING TEMPERATURE: -25°C ~ 85°C
- 2.MATERIAL:
 - 2.1 HOUSING: LCP , Color:Blue
 - 2.2 CONTACT: PHOSPHOR BRONZE
 - 2.3 SHELL: BRASS
- 3.PLATING:
 - 3.1 CONTACT: PLATED GOLD IN MATING AREA ;
TIN PLATED ON SOLDER BALLS ;
NICKEL UNDER PLATED OVERALL
 - 3.2 SHELL: NICKEL UNDER PLATED SURFACE LAYER

CONTACT 建倚科技股份有限公司
CONTACT TECHNOLOGY CORP.

TOLERANCE UNLESS OTHERWISE STATED :
 Up to 5 ±0.2
 Above 5 ~ 15 ±0.3
 Above 15 ~ 30 ±0.4
 Above 30 ~ 50 ±0.5
 Angle ±0.3

3RD. ANGEL'S



UNITS MM

DRAWN BY:	DATE	MAT'L	TITLE	CONNECTOR
Jack Lu	01/05/22	FINISH	MODLE	USB 3.0 AF SMT 沉板3.5mm 無捲邊
CHECKED BY:	DATE	SCALE	DWG NO.	SUA-110M1A-30x-S277
Jacky Chen	01/05/22	1 : 1	PART NO.	SUA-110M1A-30x-S277
APPROVED BY:	DATE	SHEET NO.	1 of 1	
Tony Kao	01/05/22			

1	新增膠芯顏色	Jack	010522
ITEM NO.	DESCRIPTION	DRAWN	DATE