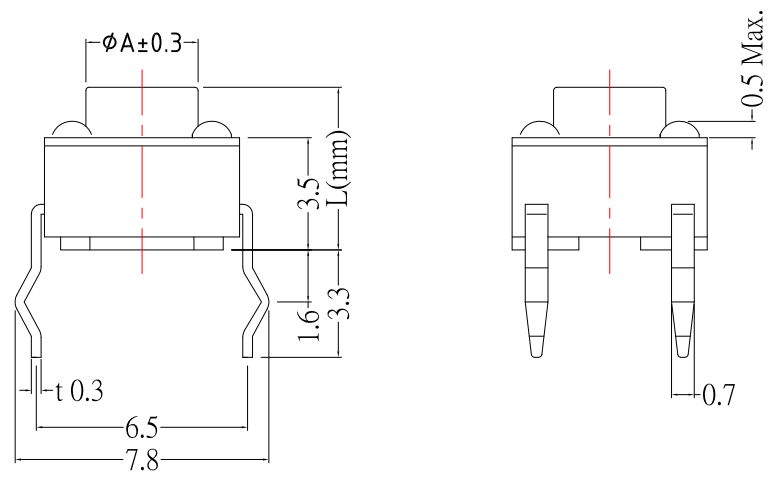
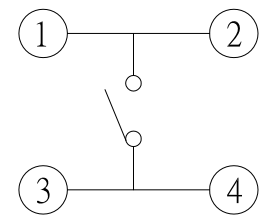




DIMENSIONS



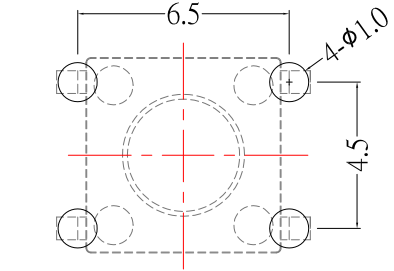
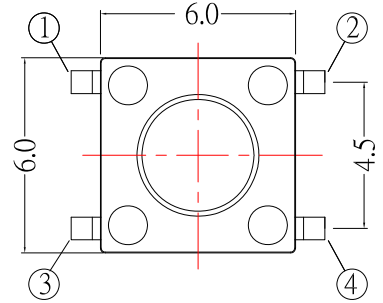
PRODUCT IMAGE



CIRCUIT DIAGRAM

SPECIFICATIONS

Rating	DC 12V 50mA											
Contact Resistance	100mΩ Max.											
Travel	0.25 ± 0.1mm											
Operating Force	0	100±30gf	1	130±30gf	2	160±50gf	3	250±50gf	4	320±50gf	5	500±50gf
Operating Life(cycles)	100,000					80,000					50,000	



PCB LAYOUT MOUNTING PATTERN

MODEL NO.	TS-A02	TS-A02A	TS-A02AL	TS-A02Q	TS-A02QL	TS-A02B	TS-A02E	TS-A02R	TS-A02C	TS-A02CL	TS-A02D	TS-A02Y	TS-A02YL	TS-A02W	TS-A02F	TS-A02K	TS-A02G	TS-A02O	TS-A02OL	TS-A02Z	TS-A02ZL	TS-A02H
L (mm)	4.30	5.00	5.50	6.00	6.50	7.00	7.30	7.50	8.00	8.50	9.50	10.00	10.50	11.00	12.50	13.00	13.50	14.00	14.50	15.00	16.00	17.00
φA (mm)	3.50	3.50	3.40	3.40	3.40	3.40	3.40	3.40	3.40	3.40	3.40	3.00	3.00	3.00	3.00	3.00	3.00	3.00	3.00	3.00	3.00	3.00

11	新增高度16.0選項	Jack	050415
10	更新高度10.5選項代碼及新增高度15.0選項	Jack	122914
9	更新高度5.5選項代碼	Jack	122614
8	新增Operating Force選項	Jack	112614
7	新增腳位編號	Jack	111114
6	更新高度選項	Jack	102214
5	新增及更新高度選項	Jack	070414
4	新增Operating Force選項	Jack	060514
3	新增高度選項	Jack	040814
2	更新高度選項	Jack	030514
1	更新尺寸	Jack	071513
ITEM NO.	DESCRIPTION	DRAWN	DATE

CONTACT 建倚科技股份有限公司
CONTACT TECHNOLOGY CORP.

TOLERANCE UNLESS OTHERWISE STATED:
 Up to 5 ±0.2
 Above 5 ~ 15 ±0.3
 Above 15 ~ 30 ±0.4
 Above 30 ~ 50 ±0.5
 Angle ±0.3

3RD. ANGEL'S

UNITS MM

DRAWN BY:	DATE	MAT'L	TITLE	SWITCH
Jack Lu	09/14/15			
CHECKED BY:	DATE	FINISH	MODLE	TACT SWITCH
Jacky Chen	09/14/15			
APPROVED BY:	DATE	SCALE	DWG NO.	TS-A02x-x-S126
Tony Kao	09/14/15	1 : 1		
		SHEET NO.	PART NO.	TS-A02x-x-S126
		1 of 1		
				SIZE A4
				VER A12