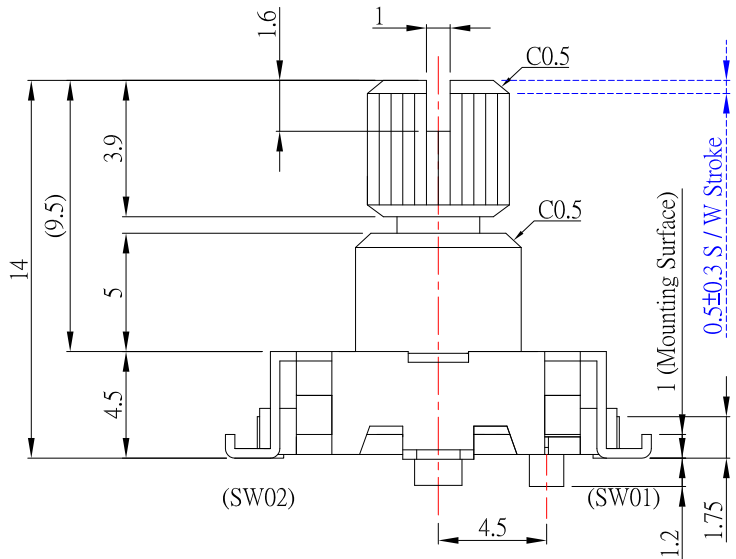
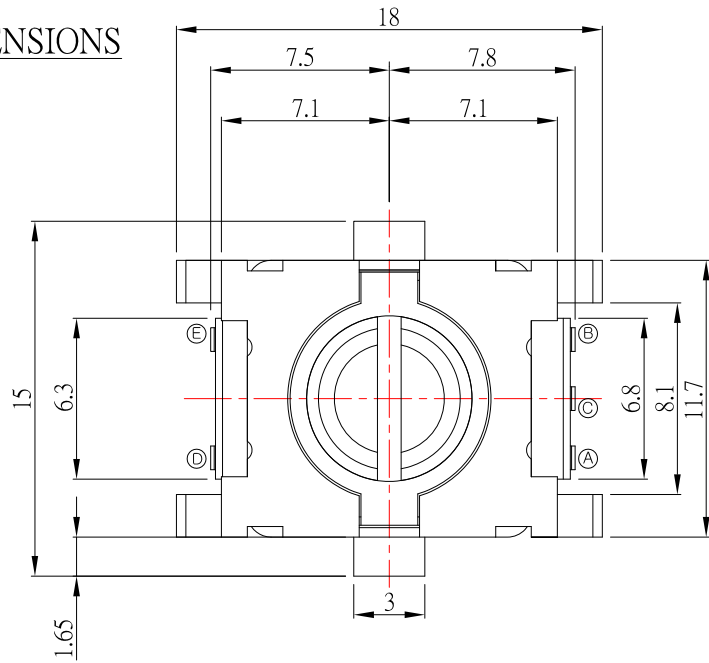
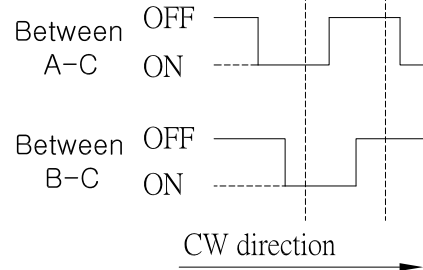


DIMENSIONS

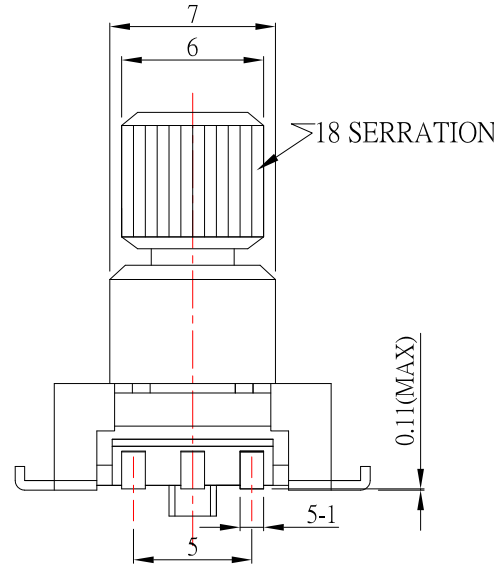


(SW01) ENCODER
(SW02) PUSH ON SW

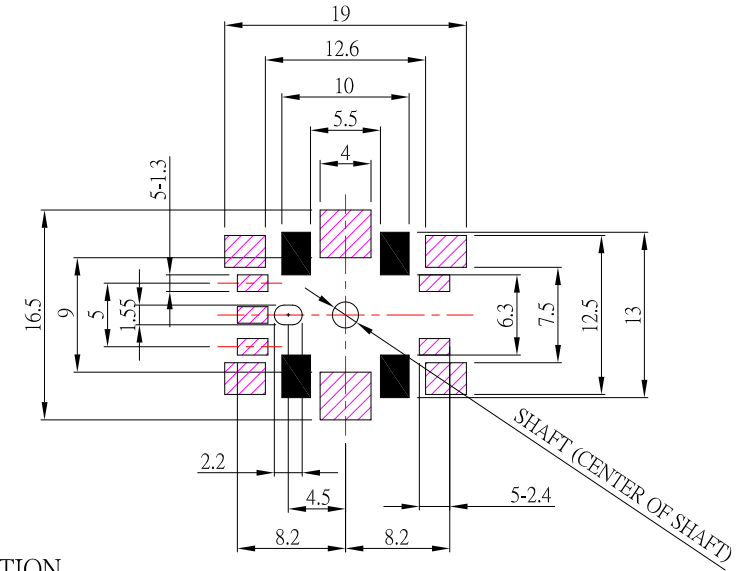
CLICK Position



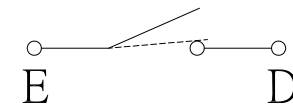
(SW01) OUTPUT



P.C.BOARD MOUNTING HOLE DIMENSIONS



(SW02)CIRCUIT DIAGRAM



CONTACT 建倚科技股份有限公司
CONTACT TECHNOLOGY CORP.

TOLERANCE UNLESS OTHERWISE STATED :
Up to 5 ±0.2
Above 5 ~ 15 ±0.3
Above 15 ~ 30 ±0.4
Above 30 ~ 50 ±0.5
Angle ±0.3

3RD. ANGEL'S



UNITS MM

DRAWN BY: Jack Lu
CHECKED BY: Jacky Chen
APPROVED BY: Tony Kao
DATE: 07/23/13
DATE: 07/23/13
DATE: 07/23/13

MAT'L		TITLE	ENCODER
FINISH		MODLE	ENCODER W/I SWITCH
SCALE	1 : 1	DWG NO.	E-C11E15-14
SHEET NO.	1 of 1	PART NO.	E-C11E15-14
		SIZE	A4
		VER	R2

ITEM NO.	DESCRIPTION	DRAWN	DATE
2	公差及料號更新	Jack	072313
1	圖面更新	Frank Wu	021012