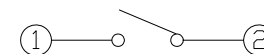
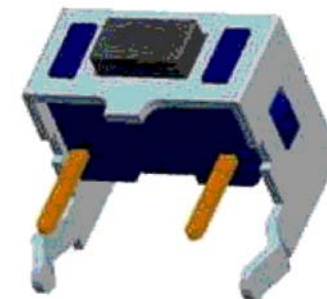




PRODUCT IMAGE

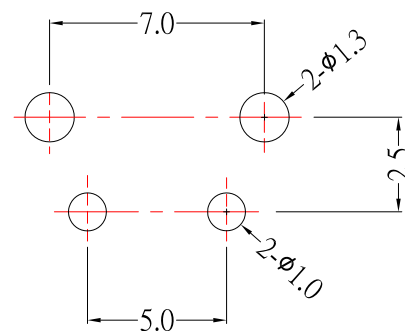
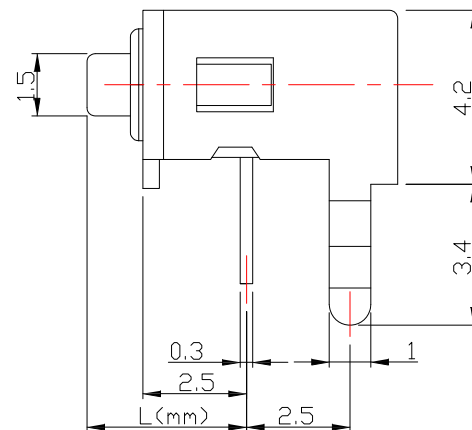


CIRCUIT DIAGRAM

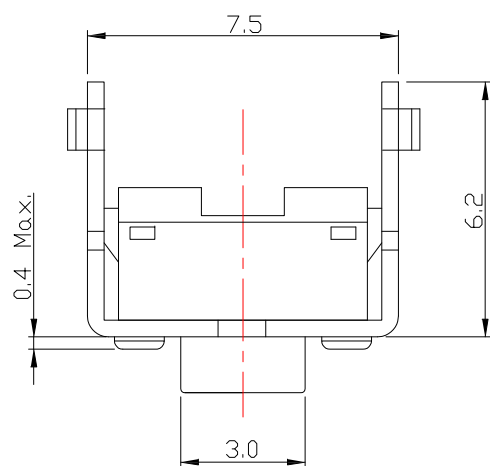
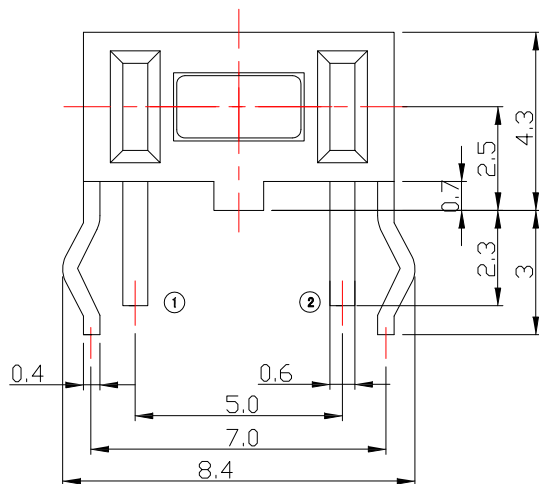
MODEL No	L (mm)
TS-A01V	3.15
TS-A01VA	3.85

SPECIFICATIONS

Rating	DC 12V 50mA Max.
Contact Resistance	100mΩ Max.
Travel	0.25 ± 0.1mm
Operating Force	0 100 ± 30gf 1 130 ± 30gf 2 180 ± 30gf
	3 250 ± 50gf
Operating Life (cycles)	50,000(100±30gf,130 ± 30gf,180 ± 30gf)
	30,000(250 ± 50gf)



PCB LAYOUT MOUNTING PATTERN



6	更新樣式	Jack	041519
5	更新PIN腳樣式	Jack	011119
4	更新圖面	Jack	112416
3	新增尺寸	Jack	032515
2	SPEC更新	Jack	031913
1	圖面更新	FrankWu	062912
ITEM NO.	DESCRIPTION	DRAWN	DATE



建倚科技股份有限公司
CONTACT TECHNOLOGY CORP.

TOLERANCE UNLESS OTHERWISE STATED :
Up to 5 ±0.2
Above 5 ~ 15 ±0.3
Above 15 ~ 30 ±0.4
Above 30 ~ 50 ±0.5
Angle ±0.3°

3RD. ANGEL'S



UNITS MM

DRAWN BY:	DATE
Jack Lu	04/15/19
CHECKED BY:	DATE
Jacky Chen	04/15/19
APPROVED BY:	DATE
Tony Kao	04/15/19

MAT'L	TITLE	SWITCH
FINISH	MODLE	TACT SWITCH
SCALE	1 : 1	DWG NO. TS-A01Vx-x-S126
SHEET NO.	1 of 1	PART NO. TS-A01Vx-x-S126
		SIZE A4
		VER R6