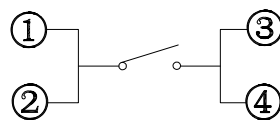
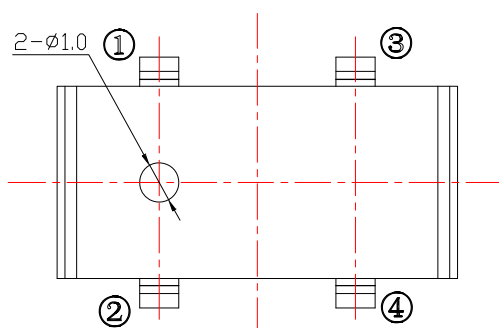


MOUNTING HOLES

SPECIFICATION

1. RATING : DC12V, 0.1A ;
2. CONTACT RESISTANCE : $\leq 100\text{m}\Omega$;
3. INSULATION RESISTANCE : $\geq 100\text{M}\Omega$;
4. OPERATING TEMPERATURE : $-25^{\circ}\text{C} \sim +80^{\circ}\text{C}$;
5. HUMIDITY APPLICATION : $< 85\% \text{ RH}$;
6. OPERATING FORCE : $40 \pm 15\text{gf}$;
7. LIFE : 50,000 CYCLES ;



SCHEMATIC

⑤	Terminal	4	BRASS	Ag Plating
④	Base	1	NYLON	Black
③	Contact	1	PHOSPHOR BRONZE	Ag Plating
②	Cover	1	POM	Black
①	Button	1	POM	Black
ITEM	PART NAME	QTY	MATERIAL	FINISHING

CONTACT 建倚科技股份有限公司
CONTACT TECHNOLOGY CORP.

TOLERANCE UNLESS OTHERWISE STATED:

Up to 5 ±0.2
Above 5 ~ 15 ±0.3
Above 15 ~ 30 ±0.4
Above 30 ~ 50 ±0.5
Angle ±0.3

3RD. ANGEL'S



UNITS

MM

DRAWN BY: Jack Lu
CHECKED BY: Jacky Chen
APPROVED BY: Tony Kao

DATE: 03/19/20
DATE: 03/19/20
DATE: 03/19/20

MAT'L
FINISH
SCALE: 1 : 1
SHEET NO.: 1 of 1

TITLE: SWITCH
MODLE: DETECTOR SWITCH
DWG NO.: RM021-01C-S379
PART NO.: RM021-01C-S379

SIZE: A4
VER: R

ITEM NO.	DESCRIPTION	DRAWN	DATE