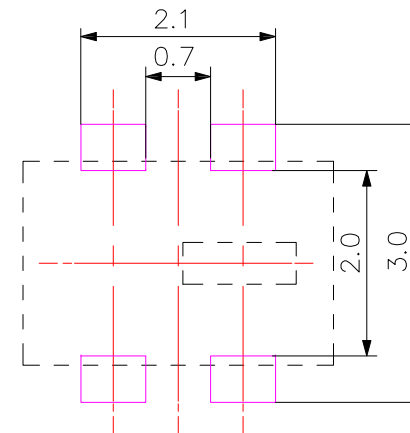
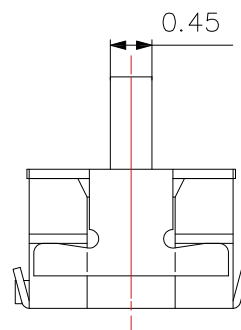
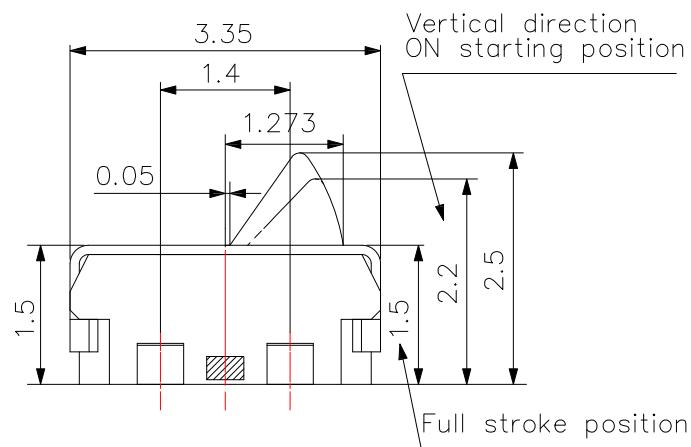


**SCHEMATIC**



**MOUNTING HOLES**



**SPECIFICATION**

1. RATING : DC3V, 5uA ; DC5V, 10mA
2. CONTACT RESISTANCE :  $\leq 500m\Omega$  ;
3. INSULATION RESISTANCE :  $\geq 100M\Omega$  ;
4. OPERATING TEMPERATURE :  $-10^{\circ}C \sim +60^{\circ}C$  ;
5. HUMIDITY APPLICATION :  $< 85\% RH$  ;
6. OPERATING FORCE : 250mN Max ;
7. LIFE : 50,000 CYCLES ;

1	更新SCHEMATIC	Jack	110121
ITEM NO.	DESCRIPTION	DRAWN	DATE

**CONTACT** 建倚科技股份有限公司  
**CONTACT TECHNOLOGY CORP.**

TOLERANCE UNLESS OTHERWISE STATED:	Up to 5 ±0.2	3RD. ANGEL'S	UNITS	MM
	Above 5 ~ 15 ±0.3			
	Above 15 ~ 30 ±0.4			
	Above 30 ~ 50 ±0.5			
	Angle ±0.3°			

DRAWN BY:	DATE	MAT'L	TITLE	SWITCH
Jack Lu	11/01/21			
CHECKED BY:	DATE	FINISH	MODLE	DETECTOR SWITCH
Jacky Chen	11/01/21			
APPROVED BY:	DATE	SCALE	DWG NO.	DS-C20A-S182
Tony Kao	11/01/21	1 : 1	PART NO.	DS-C20A-S182
		SHEET NO.	1 of 1	
				SIZE A4
				VER R1