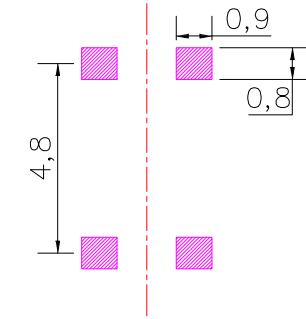
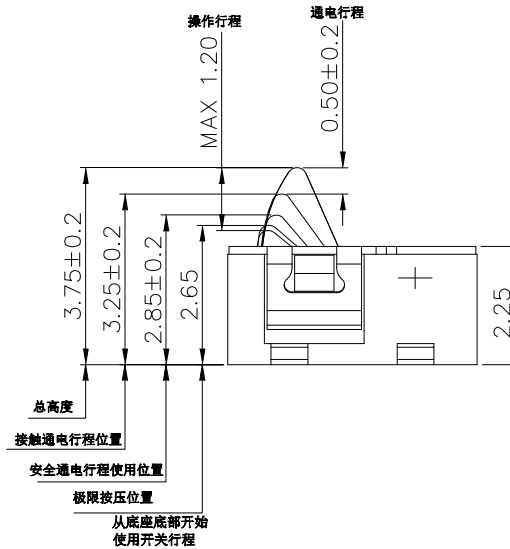
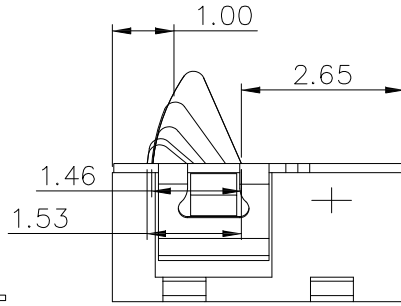
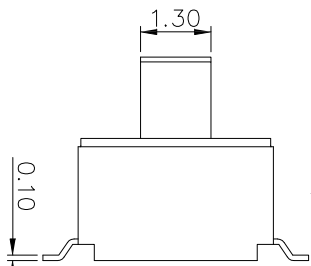


CIRCUIT DIAGRAM

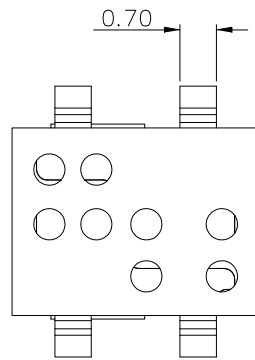


P.C.B LAYOUT



SPECIFICATIONS

Rating	DC 12V, 100mA.
Contact Resistance	200mΩ Max.
Insulation Resistance	100MΩ Min.
Operating Force	40±20 gf
Mechanical Life	100,000 cycles



NO	NAME	MATERIAL	QTY	FINISHING
5	CONTACT SPRING	SUS	1	Ag PLATED
4	TERMINAL	BRASS	4	Ag PLATED
3	COVER	SUS	1	
2	BASE	LCP	1	BLACK
1	KNOB	PPA	1	BLACK

ITEM NO.	DESCRIPTION	DRAWN	DATE
4	更新圖面	Jack	111825
3	更新導通尺寸	Jack	102424
2	新增底部圖面	Jack	061422
1	更新為A0版	Jack	120717

CONTACT 建倚科技股份有限公司
CONTACT TECHNOLOGY CORP.

TOLERANCE UNLESS OTHERWISE STATED:
 Up to 5 ±0.2
 Above 5 ~ 15 ±0.3
 Above 15 ~ 30 ±0.4
 Above 30 ~ 50 ±0.5
 Angle ±0.3

3RD. ANGEL'S

UNITS MM

DRAWN BY:	DATE	MAT'L	TITLE	SWITCH
Jack Lu	11/18/25	FINISH	MODLE	DETECTOR SWITCH
CHECKED BY:	DATE	SCALE	DWG NO.	DS-A40-S379
Jacky Chen	11/18/25	1 : 1	PART NO.	DS-A40-S379
APPROVED BY:	DATE	SHEET NO.	1 of 1	
Tony Kao	11/18/25			

SIZE	A4
VER	R4