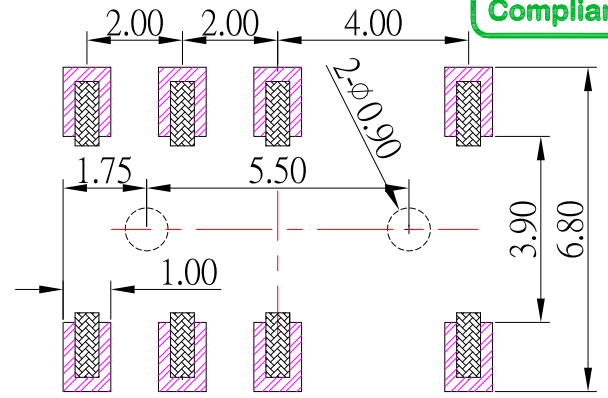
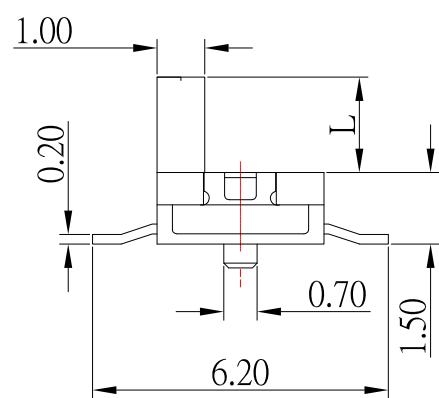
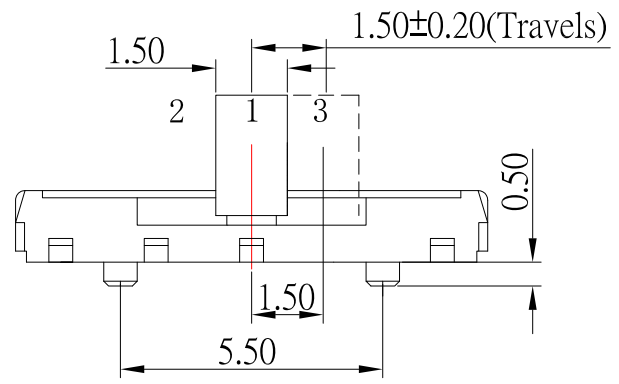


CIRCUIT DIAGRAM



P.C.B LAND PATTERN



| Model No. | L (mm) |
|-----------|--------|
| SS-C91    | 1.0    |
| SS-C91B   | 2.0    |
| SS-C91C   | 3.0    |

SPECIFICATIONS

|                                 |                    |
|---------------------------------|--------------------|
| Rating                          | 0.3A 4V DC         |
| Insulation Resistance           | 50MΩ Min.          |
| Dielectric Withstanding Voltage | AC 250 V(50Hz)1min |
| Contact Resistance              | 100mΩ Max.         |
| Operating Force                 | 200 ± 70gf         |
| Operating Life                  | 10,000 cycles      |

| NO. | DESCRIPTION | QTY | MATERIAL        | PLATING   |
|-----|-------------|-----|-----------------|-----------|
| E   | TERMINAL    | 8   | PHOSPHOR BRONZE | Ag plated |
| D   | CLIP        | 2   | BECU            | Ag plated |
| C   | COVER       | 1   | STAINLESS STEEL |           |
| B   | CASE        | 1   | LCP             | Black     |
| A   | SLIDER      | 1   | PA46            | Black     |

|          |   |       |        |
|----------|---|-------|--------|
| 7        | 新增Travels及更新Operating Force和更新CIRCUIT DIAGRAM | Jack  | 113020 |
| 6        | 新增柄高選項  | Jack  | 102020 |
| 5        | 更新外型樣式  | Jack  | 041119 |
| 4        | 更新外型樣式  | Jack  | 032819 |
| 3        | 更新外型樣式  | Jack  | 030519 |
| 2        | 更新為A0版  | Jack  | 062617 |
| 1        | 更新材質  | Jack  | 111513 |
| ITEM NO. | DESCRIPTION                                   | DRAWN | DATE   |

**CONTACT** 建倚科技股份有限公司  
CONTACT TECHNOLOGY CORP.

TOLERANCE UNLESS OTHERWISE STATED :  
 Up to 5 ±0.2  
 Above 5 ~ 15 ±0.3  
 Above 15 ~ 30 ±0.4  
 Above 30 ~ 50 ±0.5  
 Angle ±0.3°

3RD. ANGEL'S



UNITS MM

|              |          |           |          |              |
|--------------|----------|-----------|----------|--------------|
| DRAWN BY:    | DATE     | MAT'L     | TITLE    | SWITCH       |
| Jack Lu      | 11/30/20 |           |          |              |
| CHECKED BY:  | DATE     | FINISH    | MODLE    | SLIDE SWITCH |
| Jacky Chen   | 11/30/20 |           |          |              |
| APPROVED BY: | DATE     | SCALE     | DWG NO.  | SS-C91x-S246 |
| Tony Kao     | 11/30/20 | 1 : 1     |          |              |
|              |          | SHEET NO. | PART NO. | SS-C91x-S246 |
|              |          | 1 of 1    |          |              |
|              |          |           | SIZE     | A4           |
|              |          |           | VER      | R7           |