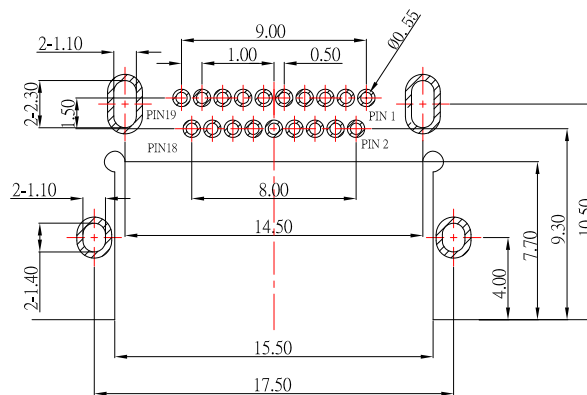
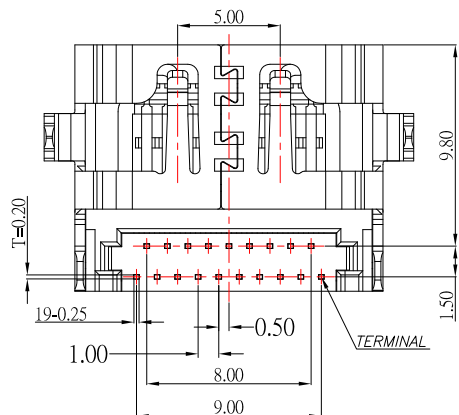
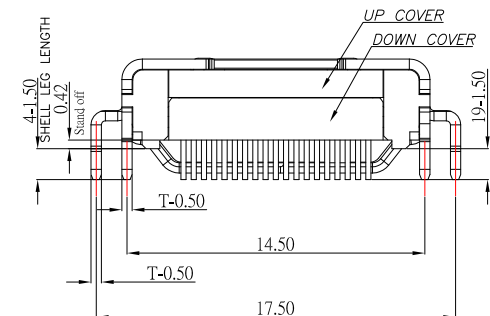
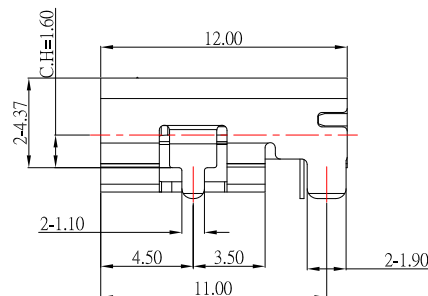
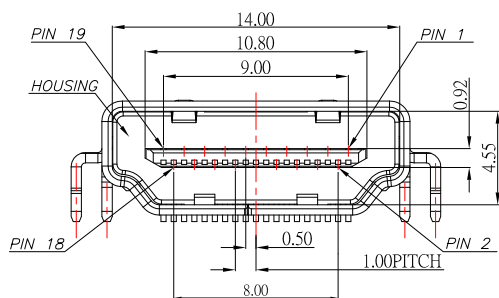
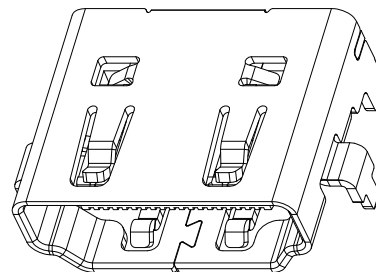
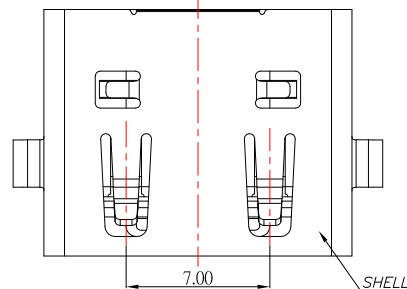




# HDMI-19P-D07x-S273

鍍層厚度：

|             |
|-------------|
| Blank : 1u" |
| 2 : 15u"    |
| 3 : 30u"    |



RECOMMENDED PCB LAYOUT(TOP VIEW)

Material:

- 1.Housing: LCP,UL 94V-0
2. Cover: LCP,UL 94V-0
- 3.Contact: Brass
- 4.Shell: Stainless Steel

Finish:

- 1.Contact: Plated Gold in Mating Area ;  
Gold Plated on Solder Balls ;  
Nickel under plated overall
- 2.Shell: Nickel under Plated surface layer

**CONTACT** 建倚科技股份有限公司  
CONTACT TECHNOLOGY CORP.

TOLERANCE UNLESS OTHERWISE STATED :  
Up to 5 ±0.2  
Above 5 ~ 15 ±0.3  
Above 15 ~ 30 ±0.4  
Above 30 ~ 50 ±0.5  
Angle ±0.3

3RD. ANGEL'S



UNITS MM

DRAWN BY: Jack Lu  
CHECKED BY: Jacky Chen  
APPROVED BY: Tony Kao  
DATE: 11/10/14  
DATE: 11/10/14  
DATE: 11/10/14

|           |        |          |                           |
|-----------|--------|----------|---------------------------|
| MAT'L     |        | TITLE    | CONNECTOR                 |
| FINISH    |        | MODLE    | HDMI A/F DIP 沉板 / 板上:4.37 |
| SCALE     | 1 : 1  | DWG NO.  | HDMI-19P-D07x-S273        |
| SHEET NO. | 1 of 1 | PART NO. | HDMI-19P-D07x-S273        |
|           |        | SIZE     | A4                        |
|           |        | VER      | R1                        |

|          |             |       |        |
|----------|-------------|-------|--------|
| 1        | 删除DATE CODE | Jack  | 111014 |
| ITEM NO. | DESCRIPTION | DRAWN | DATE   |