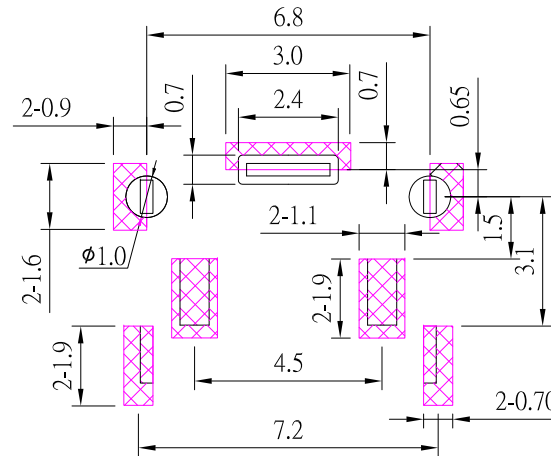
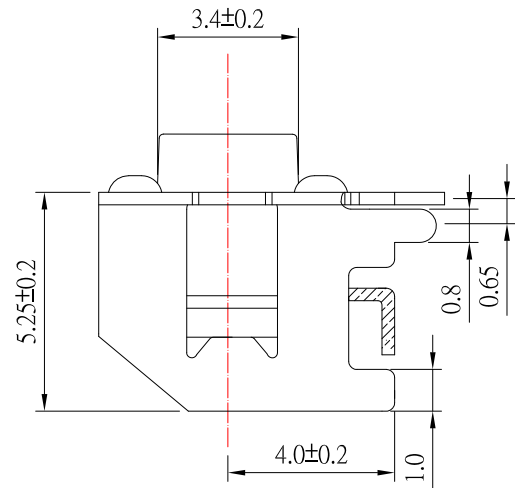


CIRCUIT DIAGRAM

MODEL NO.	TS-A02VS1	TS-A02VS1A	TS-A02VS1AL	TS-A02VS1B	TS-A02VS1C	TS-A02VS1D
X (mm)	4.30	5.00	5.50	7.00	8.00	9.50



PCB LAYOUT

SPECIFICATIONS

Rating	DC 12V 50mA
Contact Resistance	100mΩ Max.
Travel	0.25 ± 0.10mm
Operating Force	160±50gf
Operating Life(cycles)	100,000

NO.	DESCRIPTION	QTY	MATERIAL	PLATING
E	COVER	1	SPCC	Ni plated
D	STEM	1	PA46	Black
C	CONTACT	1	SUS	Ag plated
B	TERMINAL	2	BRASS	Ag plated
A	BASE	1	PA6T	Black

7	新增PCB LAYOUT尺寸	Jack	100422
6	更新材質	Jack	022522
5	更新樣式	Jack	113021
4	新增PCB LAYOUT尺寸	Jack	050520
3	更新圖面	Jack	061319
2	更新PCB LAYOUT標示	Jack	012519
1	更新尺寸	Jack	020718
ITEM NO.	DESCRIPTION	DRAWN	DATE

CONTACT 建倚科技股份有限公司
CONTACT TECHNOLOGY CORP.

TOLERANCE UNLESS OTHERWISE STATED:
 Up to 5 ±0.2
 Above 5 ~ 15 ±0.3
 Above 15 ~ 30 ±0.4
 Above 30 ~ 50 ±0.5
 Angle ±0.3°

3RD. ANGEL'S



UNITS MM

DRAWN BY: Jack Lu
 CHECKED BY: Jacky Chen
 APPROVED BY: Tony Kao

DATE: 10/04/22
 DATE: 10/04/22
 DATE: 10/04/22

MAT'L		TITLE	SWITCH
FINISH		MODLE	TACT SWITCH
SCALE	1 : 1	DWG NO.	TS-A02VS1x-2-S246
SHEET NO.	1 of 1	PART NO.	TS-A02VS1x-2-S246
		SIZE	A4
		VER	R7