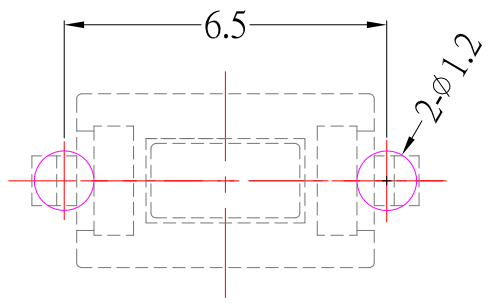
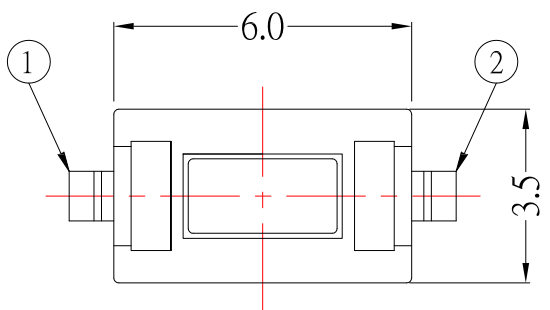


CIRCUIT DIAGRAM



P.C.B LAYOUT MOUNTING PATTERN



TS-A01x-xx-S126

	H(mm)
Blank	4.3
A	5.0

Operating Force

Stem Color :
 Black: Blank
 White : W

SPECIFICATIONS

Rating	DC 12V 50mA Max.		
Contact Resistance	100mΩ Max.		
Travel	0.25 ± 0.1mm		
Operating Force	0 100±30gf	2 160±50gf	3 260±50gf
Operating Life (cycles)	50,000		30,000

E	TERMINAL	2	BRASS	Ag plated
D	CONTACT	1	SUS	Ag plated
C	COVER	1	BRASS	
B	CASE	1	PA6T	
A	STEM	1	PA6T	
NO.	DESCRIPTION	QTY	MATERIAL	PLATING

CONTACT 建倚科技股份有限公司
CONTACT TECHNOLOGY CORP.

TOLERANCE UNLESS OTHERWISE STATED :
 Up to 5 ±0.2
 Above 5 ~ 15 ±0.3
 Above 15 ~ 30 ±0.4
 Above 30 ~ 50 ±0.5
 Angle ±0.3

3RD. ANGEL'S

UNITS MM

DRAWN BY:	DATE	MAT'L	TITLE	SIZE
Jack Lu	10/13/22		SWITCH	A4
CHECKED BY:	DATE	FINISH	MODLE	VER
Jacky Chen	10/13/22		TACT SWITCH	R3
APPROVED BY:	DATE	SCALE	DWG NO.	
Tony Kao	10/13/22	1 : 1	TS-A01x-xx-S126	
		SHEET NO.	PART NO.	
		1 of 1	TS-A01x-xx-S126	

ITEM NO.	DESCRIPTION	DRAWN	DATE
3	新增顏色選項	Jack	101322
2	新增材質表	Jack	080320
1	新增Operating Force:100±30gf	Jack	050417