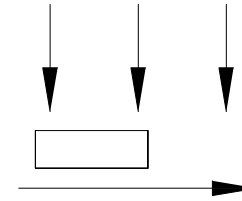
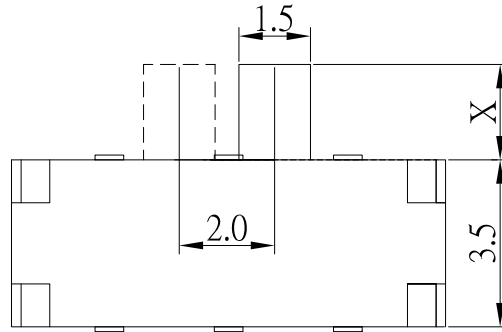


P.C.B LAND PATTERN

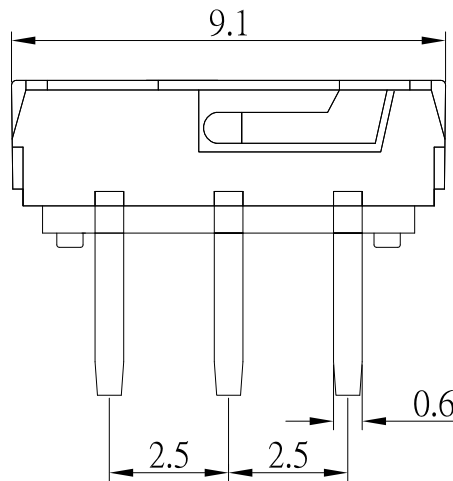
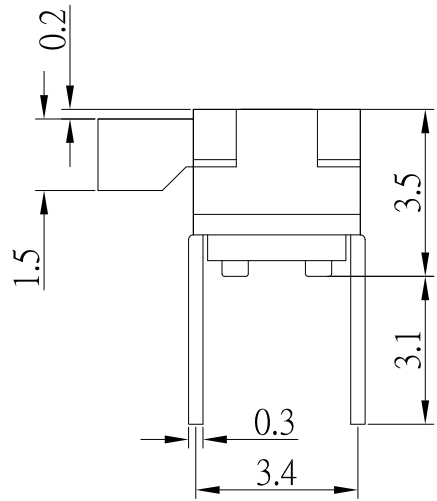


CIRCUIT DIAGRAM

MODEL	X
SS-D45	2.0 mm
SS-D45A	4.0 mm

SPECIFICATIONS

Rating	0.3A 6V DC
Insulation Resistance	50MΩ Min.
Dielectric Withstanding Voltage	AC 250 V(50Hz)1min
Contact Resistance	100mΩ Max.
Operating Force	200 ± 50gf
Operating Life	10,000 cycles



NO.	DESCRIPTION	QTY	MATERIAL	PLATING
E	TERMINAL	6	PHOSPHOR BRONZE	Ag plated
D	CLIP	2	Be-Cu	Ag plated
C	COVER	1	SUS	
B	CASE	1	PA46	Black
A	SLIDER	1	PA46	Black



建倚科技股份有限公司
CONTACT TECHNOLOGY CORP.

TOLERANCE UNLESS OTHERWISE STATED:
Up to 5 ±0.2
Above 5 ~ 15 ±0.3
Above 15 ~ 30 ±0.4
Above 30 ~ 50 ±0.5
Angle ±0.3

3RD. ANGEL'S



UNITS MM

DRAWN BY:	DATE	MAT'L	TITLE	SWITCH
Jack Lu	05/06/15		MODLE	SLIDE SWICTH
CHECKED BY:	DATE	FINISH	SCALE	1 : 1
Jacky Chen	05/06/15		DWG NO.	SS-D45x-B-S246
APPROVED BY:	DATE	SHEET NO.	PART NO.	SS-D45x-B-S246
Tony Kao	05/06/15	1 of 1		

ITEM NO.	DESCRIPTION	DRAWN	DATE
3	更新材質及Insulation Resistance	Jack	050615
2	更新CLIP材質	Jack	061614
1	更新為A0版	Jack	060414