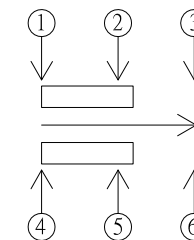
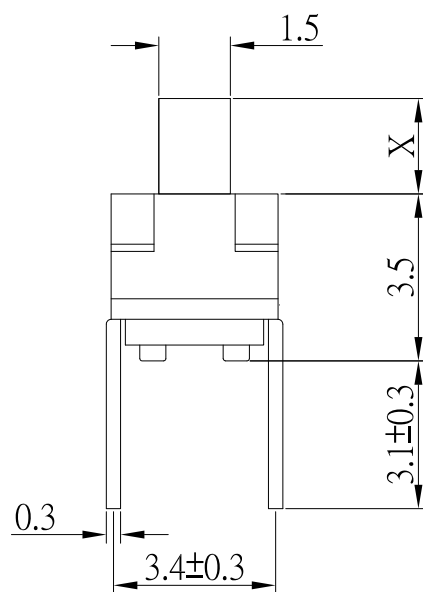
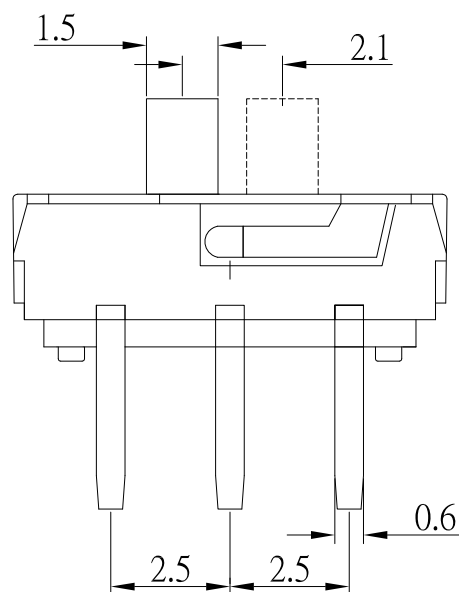


P.C.B LAND PATTERN



CIRCUIT DIAGRAM

NO	MODEL	KNOB(X)
1	SS-D35	2.0 mm
2	SS-D35B	4.0 mm
3	SS-D35D	5.0 mm



SPECIFICATIONS

Rating	10mA 12V DC
Insulation Resistance	50MΩ Min.
Dielectric Withstanding Voltage	AC 250 V
Contact Resistance	100mΩ Max.
Operating Force	160 ± 50gf
Operating Life	10,000 cycles

NO.	DESCRIPTION	QTY	MATERIAL	PLATING
E	TERMINAL	6	PHOSPHOR BRONZE	Ag plated
D	CLIP	2	PHOSPHOR BRONZE	Ag plated
C	COVER	1	SUS	
B	CASE	1	PA	Black
A	SLIDER	1	PA	Black



建倚科技股份有限公司  
CONTACT TECHNOLOGY CORP.

TOLERANCE UNLESS OTHERWISE STATED:  
Up to 5 ±0.2  
Above 5 ~ 15 ±0.3  
Above 15 ~ 30 ±0.4  
Above 30 ~ 50 ±0.5  
Angle ±0.3°

3RD. ANGEL'S



UNITS MM

DRAWN BY: Jack Lu  
CHECKED BY: Jacky Chen  
APPROVED BY: Tony Kao

DATE: 11/19/21  
DATE: 11/19/21  
DATE: 11/19/21

MAT'L  
FINISH  
SCALE: 1 : 1  
SHEET NO.: 1 of 1

TITLE: SWITCH  
MODLE: SLIDE SWICTH  
DWG NO.: SS-D35x-B-S246  
PART NO.: SS-D35x-B-S246

SIZE: A4  
VER: R1

ITEM NO.	DESCRIPTION	DRAWN	DATE
1	新增柄長選項更新SPEC和材質	Jack	111921