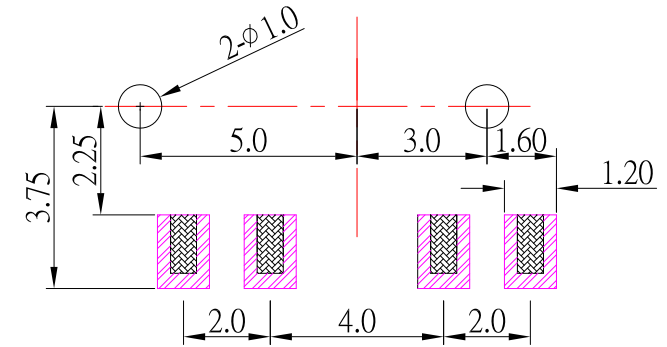
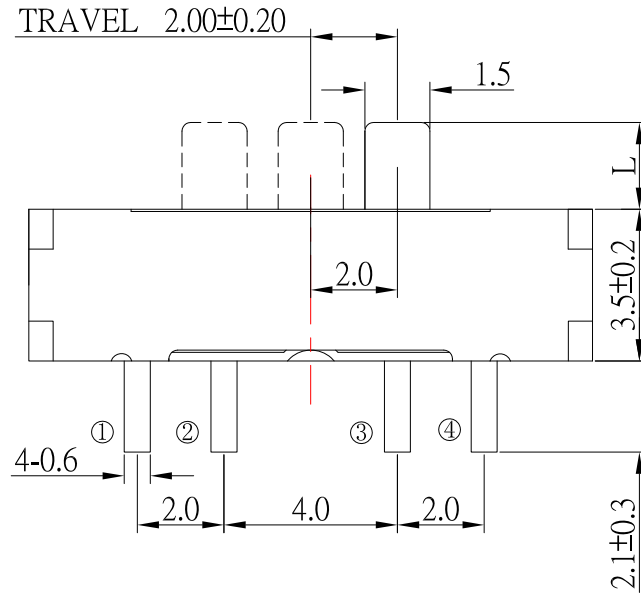


CIRCUIT DIAGRAM

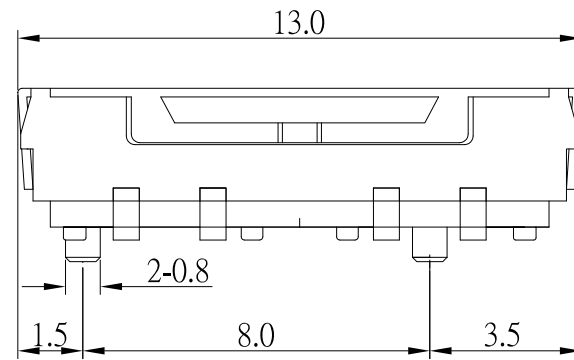
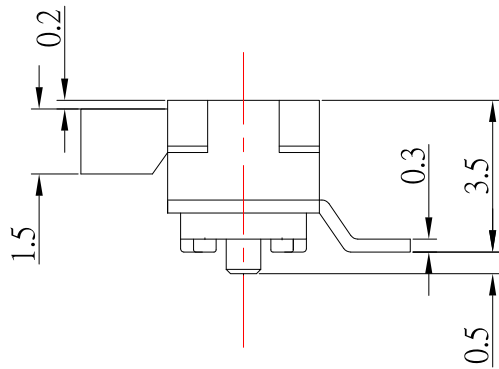
|           |             |              |
|-----------|-------------|--------------|
| MODEL NO. | SS-C80-S246 | SS-C80A-S246 |
| L (mm)    | 2.0         | 4.0          |



P.C.B LAND PATTERN

SPECIFICATIONS

|                                 |                    |
|---------------------------------|--------------------|
| Rating                          | 0.3A 6V DC         |
| Insulation Resistance           | 50MΩ Min.          |
| Dielectric Withstanding Voltage | AC 250 V(50Hz)1min |
| Contact Resistance              | 100mΩ Max.         |
| Operating Force                 | 230 ± 70gf         |
| Operating Life                  | 10,000 cycles      |



|     |             |     |                 |           |
|-----|-------------|-----|-----------------|-----------|
| E   | TERMINAL    | 4   | PHOSPHOR BRONZE | Ag plated |
| D   | CLIP        | 1   | PHOSPHOR BRONZE | Ag plated |
| C   | COVER       | 1   | SUS             |           |
| B   | CASE        | 1   | LCP             | Black     |
| A   | SLIDER      | 1   | PA46            | Black     |
| NO. | DESCRIPTION | QTY | MATERIAL        | PLATING   |

**CONTACT** 建倚科技股份有限公司  
CONTACT TECHNOLOGY CORP.

TOLERANCE UNLESS OTHERWISE STATED:  
 Up to 5 ±0.2  
 Above 5 ~ 15 ±0.3  
 Above 15 ~ 30 ±0.4  
 Above 30 ~ 50 ±0.5  
 Angle ±0.3°

3RD. ANGEL'S

UNITS MM

|              |          |           |          |                |
|--------------|----------|-----------|----------|----------------|
| DRAWN BY:    | DATE     | MAT'L     | TITLE    | SWITCH         |
| Jack Lu      | 11/12/21 |           |          |                |
| CHECKED BY:  | DATE     | FINISH    | MODLE    | SLIDE SWITCH   |
| Jacky Chen   | 11/12/21 |           |          |                |
| APPROVED BY: | DATE     | SCALE     | DWG NO.  | SS-C80x-B-S246 |
| Tony Kao     | 11/12/21 | 1 : 1     |          |                |
|              |          | SHEET NO. | PART NO. | SS-C80x-B-S246 |
|              |          | 1 of 1    |          |                |
|              |          |           | SIZE     | A4             |
|              |          |           | VER      | R3             |