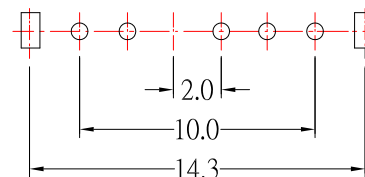


SCHMATIC (SHORTING)

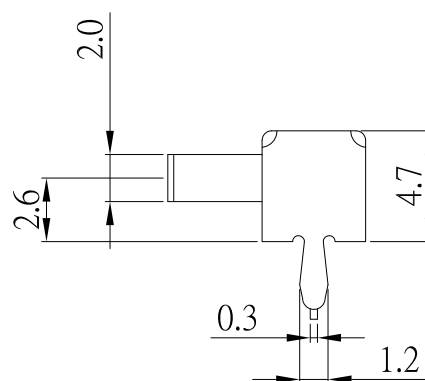
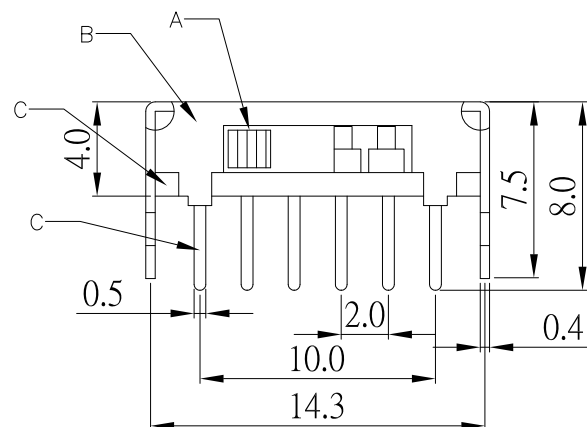


P.C.B MOUNTING PATTERN

Model No.	X (mm)
SK-14D01-G2	2.0
SK-14D01-G3	3.0
SK-14D01-G4	4.0
SK-14D01-G5	5.0
SK-14D01-G6	6.0
SK-14D01-G7	7.0
SK-14D01-G8	8.0
SK-14D01-G9	9.0

SPECIFICATIONS

Rating	DC 50V 0.3A
Circuit	1P - 4T
Timing	Shorting
Contact Resistance	200mΩ Max.
Insulation Resistance	100MΩ Min.
Operating Force	250gf ±100gf
Operating Life (cycles)	10,000



NO.	PART	MATERIAL	QAY	REMARKS
A	KNOB	POM	1	BLACK
B	FRAME	SPCC	1	NICKEL PLATED
C	TERMINAL BASE	PHENOLIC RESIN	1	NATURAL
D	TERMINAL	BRASS STRIP	6	SILVER PLATED
E	SPRING	STAINLESS STEEL	1	
F	CONTACT (CLIP)	PBS	1	SILVER PLATED



建倚科技股份有限公司
CONTACT TECHNOLOGY CORP.

TOLERANCE UNLESS OTHERWISE STATED :
Up to 5 ±0.2
Above 5 ~ 15 ±0.3
Above 15 ~ 30 ±0.4
Above 30 ~ 50 ±0.5
Angle ±0.3°

3RD. ANGEL'S



UNITS MM

DRAWN BY: Jack Lu
CHECKED BY: Jacky Chen
APPROVED BY: Tony Kao

DATE: 11/19/14
DATE: 11/19/14
DATE: 11/19/14

MAT'L
FINISH
SCALE: 1 : 1
SHEET NO.: 1 of 1
TITLE: SWITCH
MODLE: SLIDE SWITCH
DWG NO.: SK-14D01-Gx-S191
PART NO.: SK-14D01-Gx-S191

SIZE: A4
VER: R2

ITEM NO.	DESCRIPTION	DRAWN	DATE
1	新增SPEC	Jack	111914
1	更新材質	Jack	060313