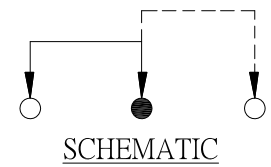
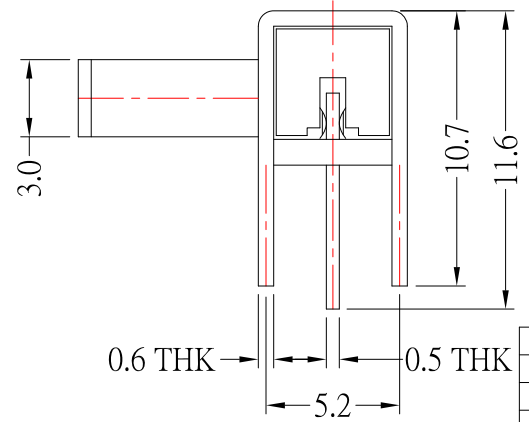
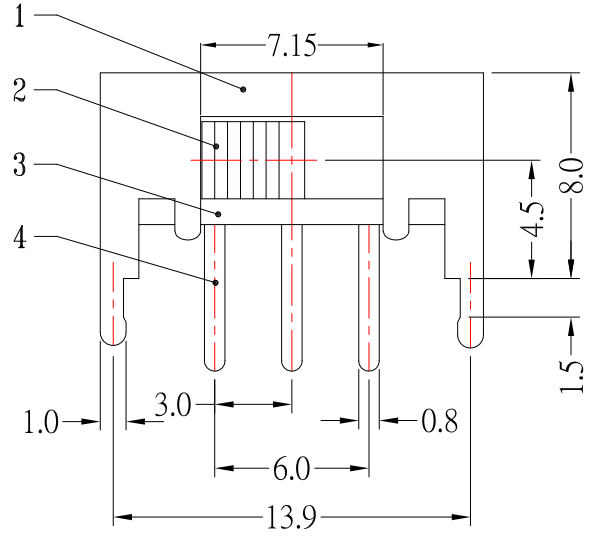


P.C.B LAYOUT
BOTTOM VIEW



Model No.	X(mm)
SK-12F16-G2	2mm
SK-12F16-G3	3mm
SK-12F16-G4	4mm
SK-12F16-G5	5mm
SK-12F16-G6	6mm
SK-12F16-G7	7mm
SK-12F16-G8	8mm
SK-12F16-G9	9mm



SPECIFICATIONS

Rating	DC 50V 0.3A
Circuit	1P - 2T
Contact Resistance	200mΩ Max.
Insulation Resistance	100MΩ Min.
Operating Force	300gf ±100gf
Operating Life (cycles)	10,000

NO.	DESCRIPTION	QTY	MATERIAL	REMARK
7	STEEL BALL	1	STEEL	Natural
6	SPRING	1	STEEL WIRE	Ni-Plated
5	CONTACT CLIP	1	PBS	Ag-Plated
4	TERMINAL	3	BRASS	Ag-Plated over Ni Plated
3	BASE	1	PHENOL IC RESIN	Natural
2	KNOB	1	POM	Black
1	FRAME	1	SPCC	Ni-Plated
NO.	DESCRIPTION	QTY	MATERIAL	REMARK

5	更新為A0版	Jack	031815
4	更新材質	Jack	120914
3	更新SPRING鍍層	Jack	120114
2	新增SPEC	Jack	112014
1	新增PCB LAYOUT尺寸及圖面尺寸7.15	Jack	082614
ITEM NO.	DESCRIPTION	DRAWN	DATE

CONTACT 建倚科技股份有限公司
CONTACT TECHNOLOGY CORP.

TOLERANCE UNLESS OTHERWISE STATED :
 Up to 5 ±0.2
 Above 5 ~ 15 ±0.3
 Above 15 ~ 30 ±0.4
 Above 30 ~ 50 ±0.5
 Angle ±0.3

3RD. ANGEL'S

UNITS MM

DRAWN BY:	DATE	MAT'L	TITLE	SWITCH
Jack Lu	03/18/15			
CHECKED BY:	DATE	FINISH	MODLE	SLIDE SWITCH
Jacky Chen	03/18/15			
APPROVED BY:	DATE	SCALE	DWG NO.	SK-12F16-Gx-S191
Tony Kao	03/18/15	1 : 1		
		SHEET NO.	PART NO.	SK-12F16-Gx-S191
		1 of 1		
				SIZE A4
				VER A0