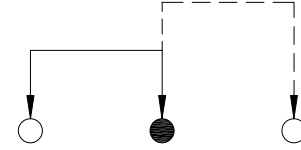
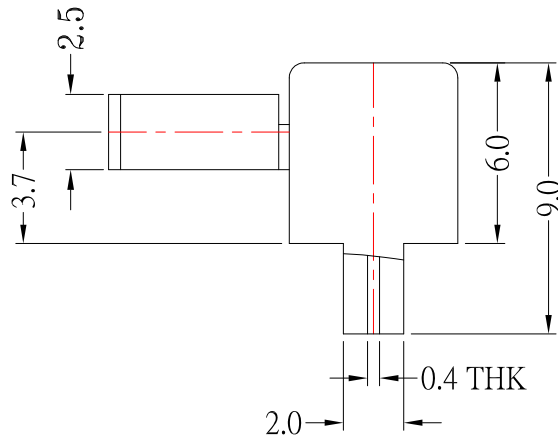
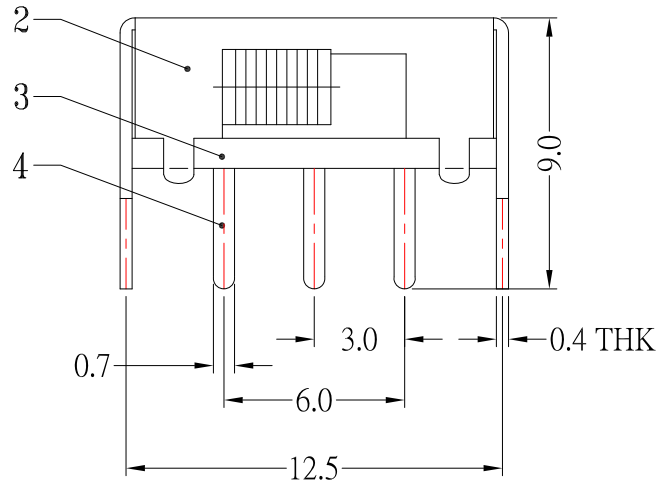


P.C.B LAYOUT MOUNTING PATTERN



SCHEMATIC

MODEL NO.	X(mm)
SK-12E14-G2-S191	2mm
SK-12E14-G3-S191	3mm
SK-12E14-G4-S191	4mm
SK-12E14-G5-S191	5mm
SK-12E14-G6-S191	6mm
SK-12E14-G7-S191	7mm
SK-12E14-G8-S191	8mm
SK-12E14-G9-S191	9mm



SPECIFICATIONS

Rating	DC 50V 0.5A
Circuit	1P - 2T
Timing	Non - Shorting
Contact Resistance	200mΩ Max.
Insulation Resistance	100MΩ Min.
Operating Force	200gf ±80gf
Operating Life (cycle)	10,000 Min.

NO.	DESCRIPTION	QTY	MATERIAL	PLATING
6	Spring	1	Stainless Steel	Natural
5	Contact	1	Brass	Ag-Plating
4	Terminal	3	Brass	Ag-Plating
3	Base	1	Phenolic Resin	Natural
2	Frame	1	SPCC	Ni-Plating
1	Knob	1	POM	Black

CONTACT 建倚科技股份有限公司
CONTACT TECHNOLOGY CORP.

TOLERANCE UNLESS OTHERWISE STATED:
 Up to 5 ±0.2
 Above 5 ~ 15 ±0.3
 Above 15 ~ 30 ±0.4
 Above 30 ~ 50 ±0.5
 Angle ±0.3°

3RD. ANGEL'S



UNITS MM

DRAWN BY: Jack Lu 03/05/15
 CHECKED BY: Jacky Chen 03/05/15
 APPROVED BY: Tony Kao 03/05/15

DATE: 03/05/15
 DATE: 03/05/15
 DATE: 03/05/15

MAT'L	TITLE
	SWITCH
FINISH	MODLE
	SLIDE SWITCH
SCALE	DWG NO.
1 : 1	SK-12E14-Gx-S191
SHEET NO.	PART NO.
1 of 1	SK-12E14-Gx-S191

SIZE A4
VER R3

ITEM NO.	DESCRIPTION	DRAWN	DATE
3	更新圖面尺寸	Jack	030515
2	新增SPEC	Jack	111914
1	更新材質	Jack	061913