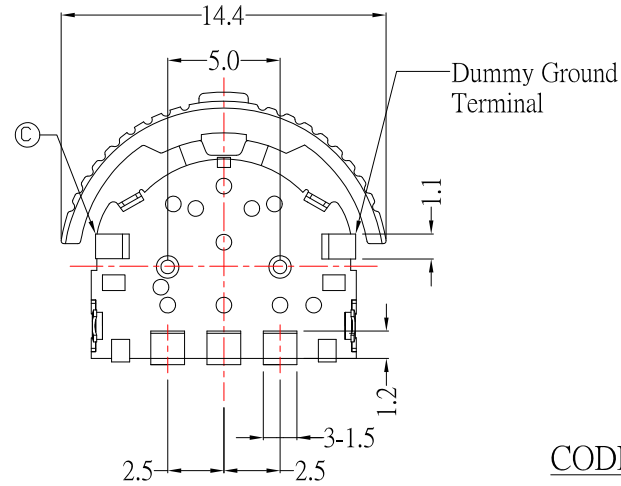
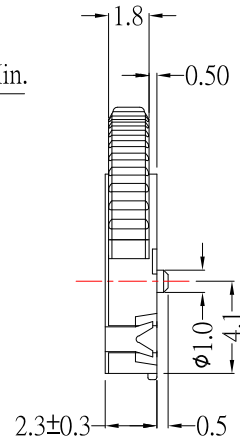
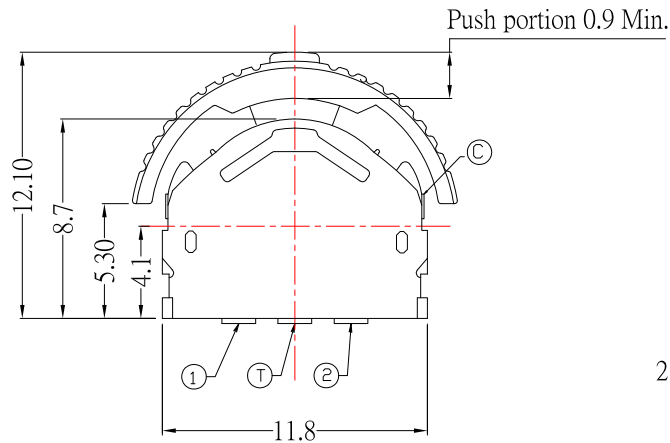
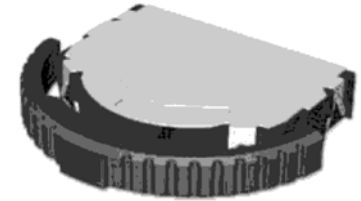


DIMENSIONS



PRODUCT IMAGE



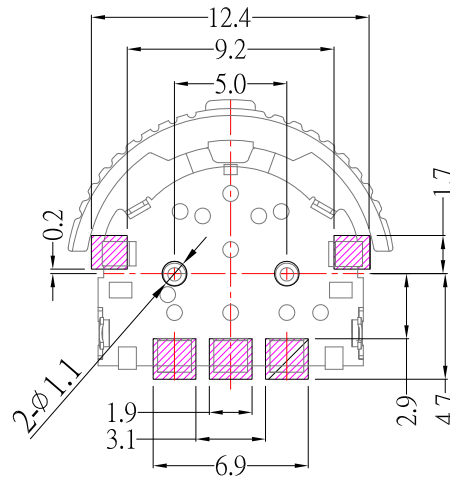
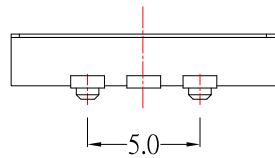
CODE TABLE

Code Table (▨ = ON)

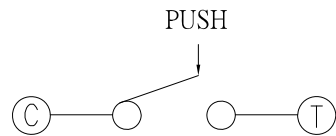
Terminal \ Angle	(20)	(18)°	0°	(18)°	(25)
①	▨				
②					▨
③	▨	▨	▨	▨	▨

CCW ← → CW

P.C.B LAYOUT MOUNTING PATTERN



CIRCUIT DIAGRAM



SPECIFICATIONS

Rating	DC 5V 10mA
Output Voltage	1V Min, at 5V 1mA
Travel	Lever 70 ± 50 gf
Operating Force	Push 200 ± 100 gf
Operating Life (cycles)	100,000

ITEM NO.	DESCRIPTION	DRAWN	DATE
5	更新樣式	Jack	110922
4	新增尺寸公差	Jack	100119
3	更新尺寸及變更為A0版	Jack	062215
2	新增尺寸	Jack	061515
1	Drawing update	FrankWu	061112

CONTACT 建倚科技股份有限公司
CONTACT TECHNOLOGY CORP.

TOLERANCE UNLESS OTHERWISE STATED :
 Up to 5 ±0.2
 Above 5 ~ 15 ±0.3
 Above 15 ~ 30 ±0.4
 Above 30 ~ 50 ±0.5
 Angle ±0.3

3RD. ANGEL'S

UNITS MM

DRAWN BY:	DATE	MATL	TITLE	SWITCH
Jack Lu	11/09/22	FINISH	MODLE	LEVER SWITCH
CHECKED BY:	DATE	SCALE	DWG NO.	K01B-S126
Jacky Chen	11/09/22	SHEET NO.	PART NO.	K01B-S126
APPROVED BY:	DATE			
Tony Kao	11/09/22			

SIZE A4
VER R5