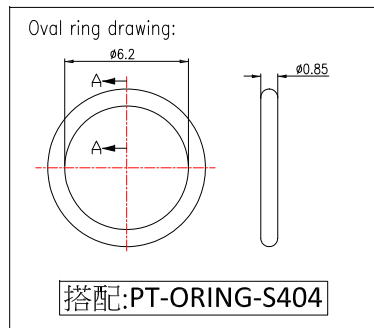
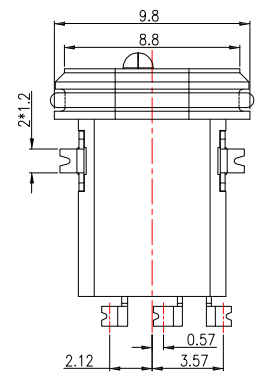
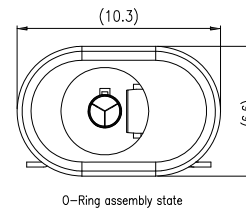
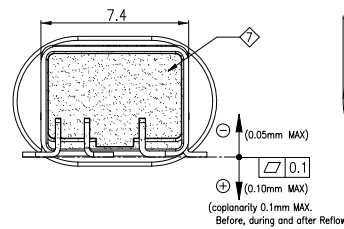
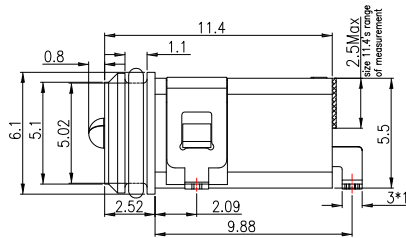
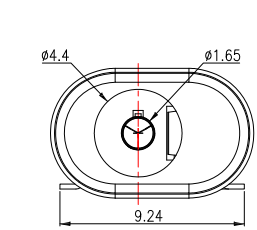
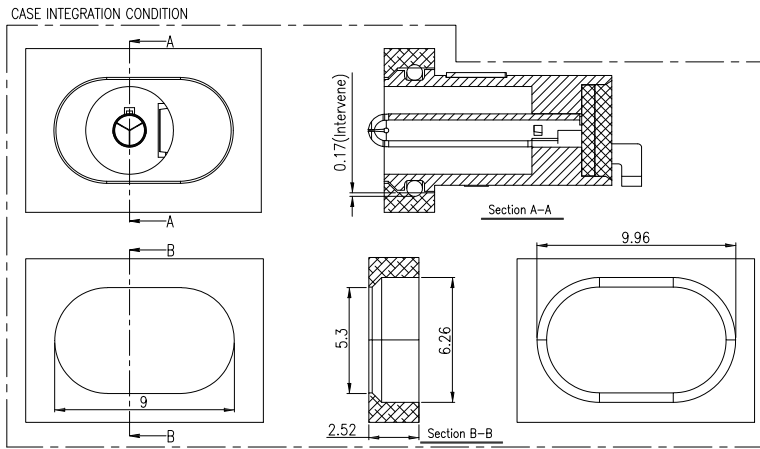
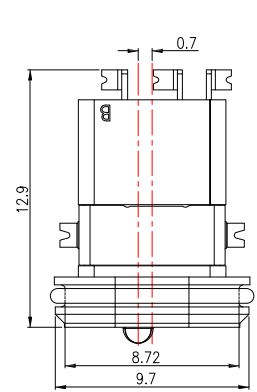
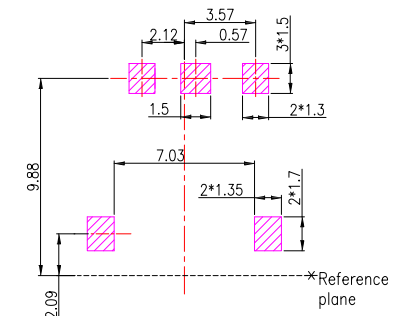


A B C D E F G H I J



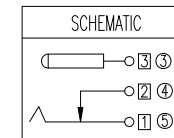
IPX8



P.C.B LAYOUT  
TOP VIEW

SPECIFICATION

- 1.Rating : DC 30V , 1.0A
- 2.Contact resistance :  $\leq 30m\Omega$
- 3.Insulation resistance :  $\geq 100M\Omega$
- 4.Withstand voltage : 300VAC
- 5.Insertion and extraction force : 5-25N
- 6.life test : 5,000 cycles



□ : TERMINAL NO. ○ : ITEM NO.

⑧	O-Ring	1		
⑦	Bond	1		
⑥	Shell	1	Brass	Ni plating
⑤	Tip Spring	1	Ti-Cu	Ni plating
④	Shunt	1	Brass	Ni plating
③	Center pin	1	Brass	Ni plating
②	Cap	1	LCP	Black
①	Housing	1	LCP	Black
NO.	DESCRIPTION	QTY	MATERIAL	REMARK

**CONTACT** 建倚科技股份有限公司  
CONTACT TECHNOLOGY CORP.

TOLERANCE UNLESS OTHERWISE STATED:  
Up to 5 ±0.2  
Above 5 ~ 15 ±0.3  
Above 15 ~ 30 ±0.4  
Above 30 ~ 50 ±0.5  
Angle ±0.3°

3RD. ANGEL'S



UNITS

MM

DRAWN BY:	DATE	MAT'L	TITLE	JACK
Jack Lu	11/05/20		MODLE	防水 DC JACK
CHECKED BY:	DATE	SCALE	DWG NO.	DC-WPS67A-1.65-S404
Jacky Chen	11/05/20	1 : 1	PART NO.	DC-WPS67A-1.65-S404
APPROVED BY:	DATE	SHEET NO.	1 of 1	
Tony Kao	11/05/20			

ITEM NO.	DESCRIPTION	DRAWN	DATE

7

7

A B C D E F G H I J