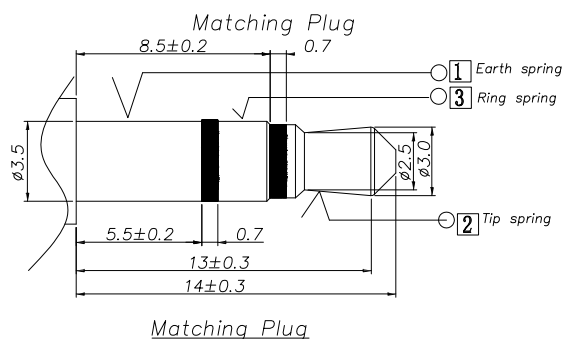
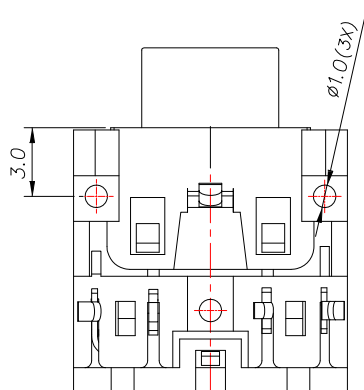


P.C.B LAYOUT



## PJ-368x-x-S141

### SPECIFICATION

- Rating : DC 30V 0.5A
- Contact resistance :  $\leq 30m\Omega$
- Insulation resistance :  $\geq 100M\Omega$
- Withstand voltage : 500VAC
- Insertion and extraction force : 3-30N
- life test : 5,000 cycles

COLOR :

Pink: PI

Green: GR

Model No.	PJ-3685	PJ-3684A	PJ-3683A	PJ-3683	PJ-3682
Schematic					

□: TERMINAL NO.

NO.	DESCRIPTION	QTY	MATERIAL	PLATING
⑩	spring	1	SPRING WIRE	Ni-Plating
⑨	Bushing	1	PBT	
⑧	Bushing	1	COPPER ALLOY	Ni-Plating
⑦	Tip spring	⑤ 1	PHOSPHOR BRONZE	Tin/Ag-Plating
⑥	Shurt terminal	④ 1	BRASS	Tin/Ag-Plating
⑤	Shurt terminal	③ 1	BRASS	Tin/Ag-Plating
④	Ring spring	② 1	PHOSPHOR BRONZE	Tin/Ag-Plating
③	Earth spring	① 1	BRASS	Tin/Ag-Plating
②	Cover	1	PBT	Black
①	Housing	1	PA66	Black
NO.	DESCRIPTION	QTY	MATERIAL	PLATING

**CONTACT** 建倚科技股份有限公司  
CONTACT TECHNOLOGY CORP.

TOLERANCE UNLESS OTHERWISE STATED :  
Up to 5 ±0.2  
Above 5 ~ 15 ±0.3  
Above 15 ~ 30 ±0.4  
Above 30 ~ 50 ±0.5  
Angle ±0.3°

3RD. ANGEL'S



UNITS MM

DRAWN BY:	DATE	MAT'L	TITLE	JACK
Jack Lu	10/15/18			
CHECKED BY:	DATE	FINISH	MODLE	PHONE JACK
Jacky Chen	10/15/18			
APPROVED BY:	DATE	SCALE	DWG NO.	PJ-368x-x-S141
Tony Kao	10/15/18	1 : 1		
		SHEET NO.	PART NO.	PJ-368x-x-S141
		1 of 1		
				SIZE A4
				VER R1