

PJ-364x-x-S124

COLOR
Black: Blank
PINK : PI
Green : GR
Blue : BL

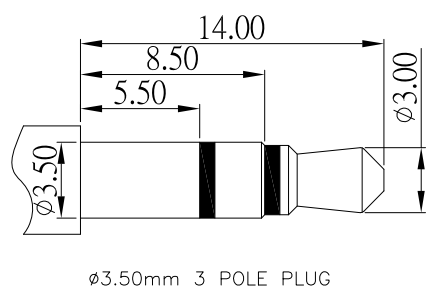
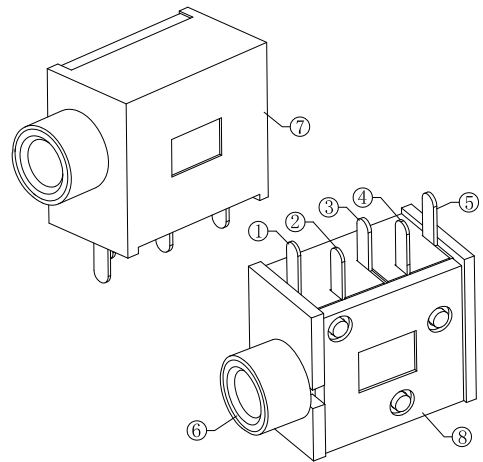
P.C.B LAYOUT TOP VIEW

SCHEMATIC

PJ-3645	PJ-3644A	PJ-3643

SPECIFICATION

- Rating : DC 30V 0.5A ;
- Contact resistance : $\leq 0.03 \Omega$;
- Insulation resistance : $\geq 100M \Omega$;
- Withstand voltage : 500VAC ;
- Insertion and extraction force : 3-30N;
- life test : 5,000 cycles .



φ3.50mm 3 POLE PLUG

NO.	DESCRIPTION	QTY	MATERIAL	PLATING
8	COVER	1	PBT	
7	HOUSING	1	PBT	
6	AXIS SUPPORT	1	BRASS	Ni-Plating
5	CURVE PIECE	1	BRASS	Sn-Plating
4	SPRING PIECE	1	PHOSPHOR BRONZE	Sn-Plating
3	CURVE PIECE	1	BRASS	Sn-Plating
2	SPRING PIECE	1	PHOSPHOR BRONZE	Sn-Plating
1	FLAT PIECE	1	BRASS	Sn-Plating

CONTACT 建倚科技股份有限公司
CONTACT TECHNOLOGY CORP.

TOLERANCE UNLESS OTHERWISE STATED:
 Up to 5 ±0.2
 Above 5 ~ 15 ±0.3
 Above 15 ~ 30 ±0.4
 Above 30 ~ 50 ±0.5
 Angle ±0.3°

3RD. ANGEL'S

UNITS MM

DRAWN BY: Jack Lu	DATE: 10/31/23	MAT'L	TITLE: JACK
CHECKED BY: Jacky Chen	DATE: 10/31/23	FINISH	MODLE: PHONE JACK
APPROVED BY: Tony Kao	DATE: 10/31/23	SCALE: 1 : 1	DWG NO. PJ-364x-x-S124
		SHEET NO. 1 of 1	PART NO. PJ-364x-x-S124

ITEM NO.	DESCRIPTION	DRAWN	DATE
1	更新plug尺寸	Jack	103123