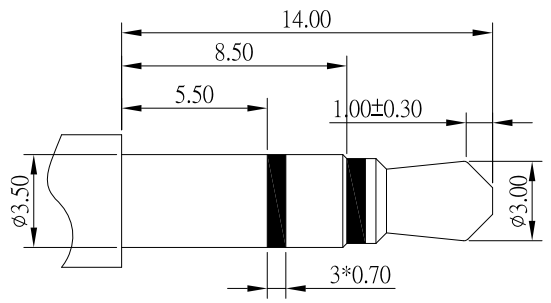
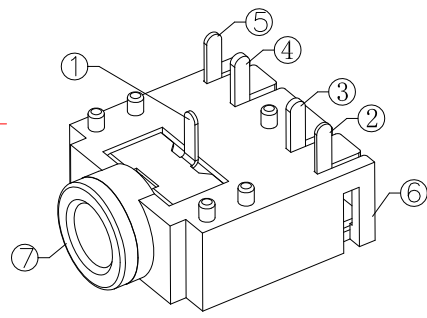
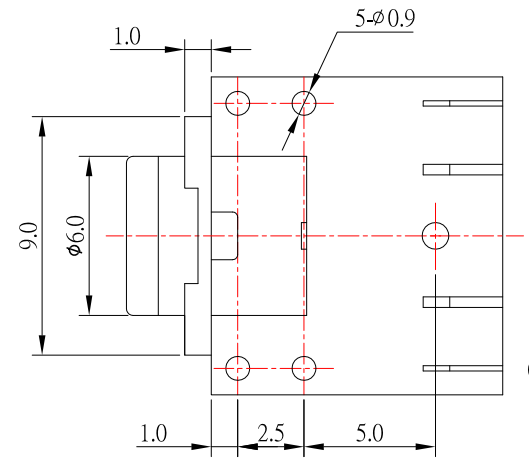


P.C.B LAYOUT  
TOP VIEW



Ø3.50mm 3 POLE PLUG



SPECIFICATION

1. Rating : DC 30V 0.5A ;
2. Contact resistance : ≤ 30mΩ ;
3. Insulation resistance : ≥ 100MΩ ;
4. Withstand voltage : 500VAC ;
5. Insertion and extraction force : 3-20N
6. life test : 5,000 cycles °

SCHMATIC

PJ-3515	PJ-3514B	PJ-3514A	PJ-3513

NO.	DESCRIPTION	QTY	MATERIAL	PLATING
7	AXIS SUPPORT	1	BRASS	Ni-Plating
6	HOUSING	1	PBT	
5	5# CONTACT FOOT	1	PHOSPHOR BRONZE	Sn-Plating
4	4# CONTACT FOOT	1	BRASS	Sn-Plating
3	3# CONTACT FOOT	1	BRASS	Sn-Plating
2	2# CONTACT FOOT	1	SUS	Sn-Plating
1	1# CONTACT FOOT	1	PHOSPHOR BRONZE	Sn-Plating



TOLERANCE UNLESS OTHERWISE STATED:  
 Up to 5 ±0.2  
 Above 5 ~ 15 ±0.3  
 Above 15 ~ 30 ±0.4  
 Above 30 ~ 50 ±0.5  
 Angle ±0.3°

3RD. ANGEL'S

UNITS MM

DRAWN BY:	DATE	MAT'L	TITLE	JACK
Jack Lu	05/22/20			
CHECKED BY:	DATE	FINISH	MODLE	PHONE JACK
Jacky Chen	05/22/20			
APPROVED BY:	DATE	SCALE	DWG NO.	PJ-351x-S124
Tony Kao	05/22/20	1 : 1	PART NO.	PJ-351x-S124
		SHEET NO.	1 of 1	
				SIZE A4
				VER R1

ITEM NO.	DESCRIPTION	DRAWN	DATE
1	更新樣式	Jack	052220