

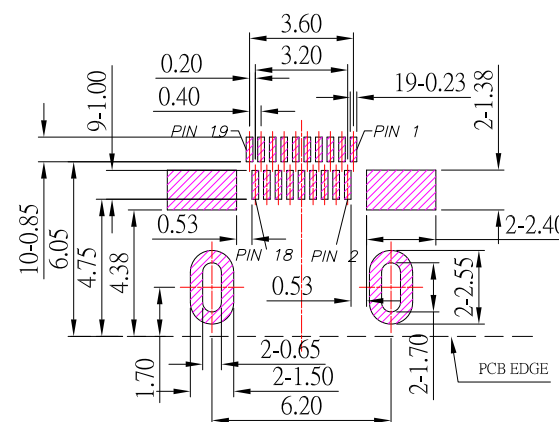
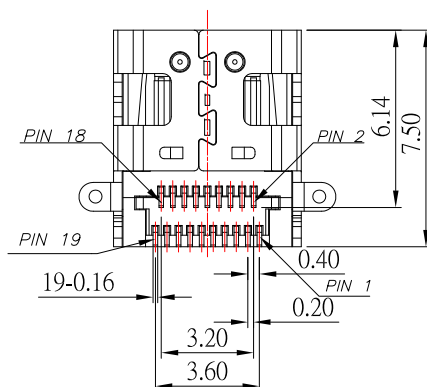
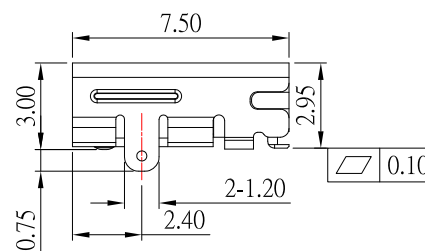
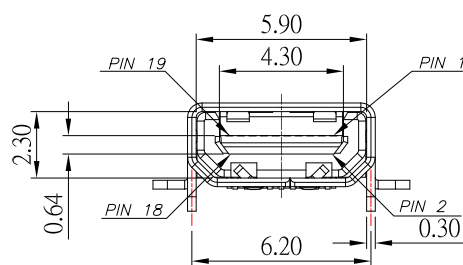
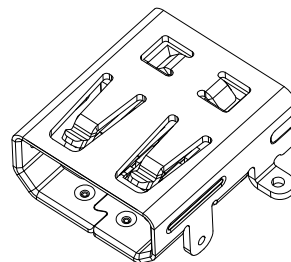
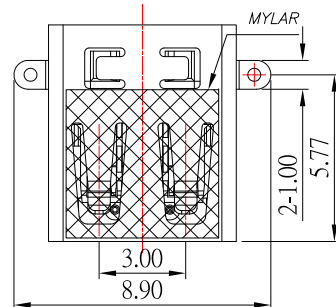


HDMI-D-19PSDxxA-S273

SHELL MATERIAL: _____ SHELL PLATED :

Blank	PHOSPHOR BRONZE
I	SPCC

Blank	NI
G	GOLD



RECOMMENDED PCB LAYOUT(TOP VIEW)

NOTE:

1.MATERIAL:

- 1.1 HOUSING: LCP
- 1.2 CONTACT: PHOSPHOR BRONZE
- 1.3 SHELL: PHOSPHOR BRONZE / SPCC
- 1.4 MYLAR: FILM

2.PLATING :

- 2.1 CONTACT: PLATED GOLD IN MATING AREA ;
TIN PLATED ON SOLDER BALLS ;
NICKEL UNDER PLATED OVERALL
- 2.2 SHELL: NICKEL UNDER PLATED SURFACE LAYER OR
TIN UNDER PLATED SURFACE LAYER

4	新增OCB LAYOUT尺寸	Jack	011818
3	新增OCB LAYOUT尺寸	Jack	011518
2	更新PIN標示	Jack	011118
1	新增材質	Jack	041114
ITEM NO.	DESCRIPTION	DRAWN	DATE

CONTACT 建倚科技股份有限公司
CONTACT TECHNOLOGY CORP.

TOLERANCE UNLESS OTHERWISE STATED :
 Up to 5 ±0.2
 Above 5 ~ 15 ±0.3
 Above 15 ~ 30 ±0.4
 Above 30 ~ 50 ±0.5
 Angle ±0.3

3RD. ANGEL'S

UNITS MM

DRAWN BY:	DATE	MAT'L	TITLE	CONNECTOR
Jack Lu	01/18/18	FINISH	MODLE	HDMI D TYPE 前插後貼
CHECKED BY:	DATE	SCALE	DWG NO.	HDMI-D-19PSDxxA-S273
Jacky Chen	01/18/18	1 : 1	PART NO.	HDMI-D-19PSDxxA-S273
APPROVED BY:	DATE	SHEET NO.	1 of 1	
Tony Kao	01/18/18			
				SIZE A4
				VER R4