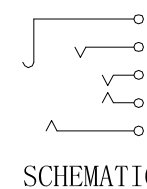
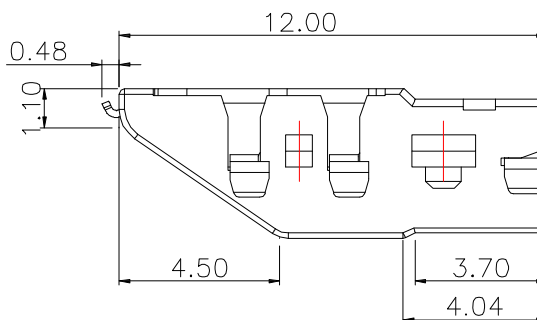
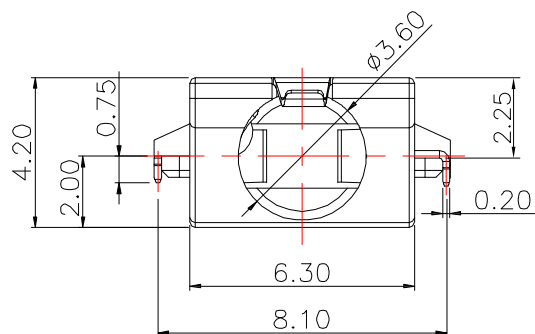


PCB LAYOUT



SCHEMATIC

SPECIFICATION

1. Rating : DC 30V 0.5A
2. Contact resistance :  $\leq 30m\Omega$
3. Insulation resistance :  $\geq 100M\Omega$
4. Withstand voltage : 500VAC
5. Insertion and extraction force : 3-30N
6. life test : 5,000 cycles

5	HOUSING	1	PA9T	
4	CONTACT FOOT #4	1	PHOSPHOR BRONZE	Au-Plating
3	CONTACT FOOT #3	1	PHOSPHOR BRONZE	Au-Plating
2	CONTACT FOOT #2	1	PHOSPHOR BRONZE	Au-Plating
1	CONTACT FOOT #1	1	PHOSPHOR BRONZE	Au-Plating
NO.	DESCRIPTION	QTY	MATERIAL	REMARK

**CONTACT** 建倚科技股份有限公司  
CONTACT TECHNOLOGY CORP.

TOLERANCE UNLESS OTHERWISE STATED:  
 Up to 5 ±0.2  
 Above 5 ~ 15 ±0.3  
 Above 15 ~ 30 ±0.4  
 Above 30 ~ 50 ±0.5  
 Angle ±0.3°

3RD. ANGEL'S

UNITS MM

DRAWN BY:	DATE	MAT'L	TITLE	JACK
Jack Lu	11/04/15		MODLE	PHONE JACK 板上高 2.25mm
CHECKED BY:	DATE	FINISH	SCALE	1 : 1
Jacky Chen	11/04/15		DWG NO.	PJ-S3178-S125
APPROVED BY:	DATE	SHEET NO.	PART NO.	PJ-S3178-S125
Tony Kao	11/04/15	1 of 1		

ITEM NO.	DESCRIPTION	DRAWN	DATE
2	更新MODLE及新增尺寸	Jack	110415
1	更新圖面	Jack	102015

SIZE A4  
VER R2