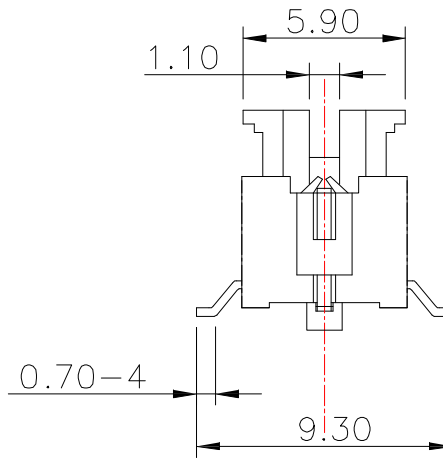
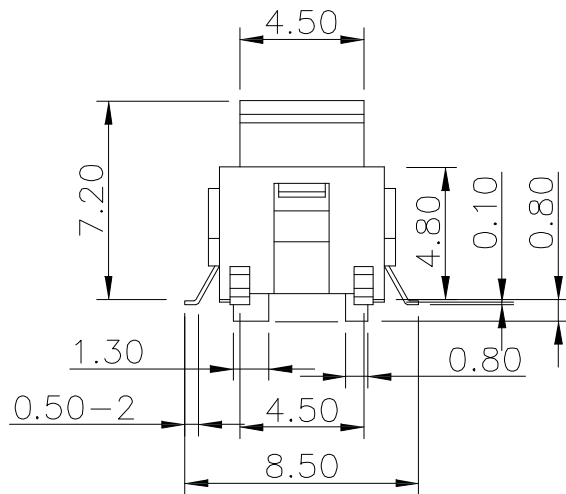


P.C.B LAYOUT



COLOR OF LED

0	Without	1	Red
2	Green	3	Orange
4	Yellow	7	Blue
8	White		

CONTACT 建倚科技股份有限公司
CONTACT TECHNOLOGY CORP.

TOLERANCE UNLESS OTHERWISE STATED:
 Up to 5 ±0.2
 Above 5 ~ 15 ±0.3
 Above 15 ~ 30 ±0.4
 Above 30 ~ 50 ±0.5
 Angle ±0.3

3RD. ANGEL'S



UNITS MM

DRAWN BY: Jack Lu
 CHECKED BY: Jacky Chen
 APPROVED BY: Tony Kao

DATE: 04/24/15
 DATE: 04/24/15
 DATE: 04/24/15

MAT'L		TITLE	SWITCH
FINISH		MODLE	TACT SWITCH W/I LED SMT TYPE
SCALE	1 : 1	DWG NO.	TS-M-x-C0-E0-S010
SHEET NO.	1 of 1	PART NO.	TS-M-x-C0-E0-S010

ITEM NO.	DESCRIPTION	DRAWN	DATE
----------	-------------	-------	------

SIZE A4
 VER R