

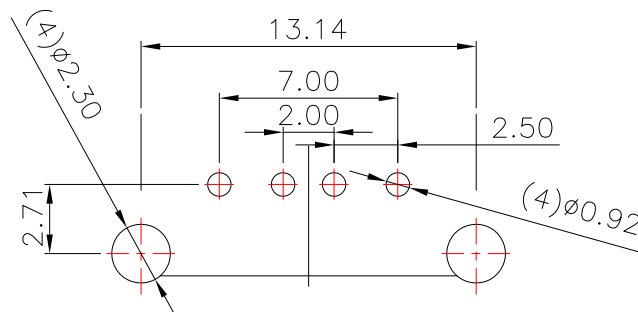
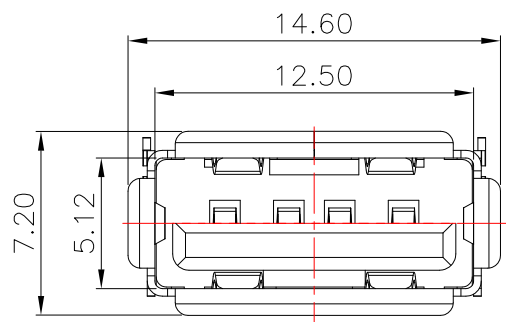


SUA-110V7-x-S183

COLOR :

Black: B

White : W



PCB LAYOUT MOUNTING PATTERN

SPECIFICATIONS

Electrical:

1. Dielectric Withstanding Voltage: AC 500 V / 1MIN
2. Insulation Resistance: 1,000 MΩ Min
3. Contact Resistance: 30 mΩ Max

Mechanical:

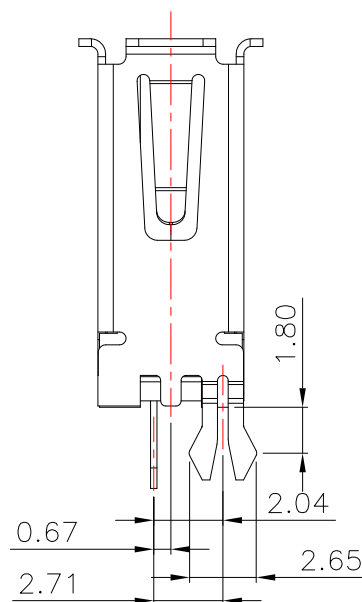
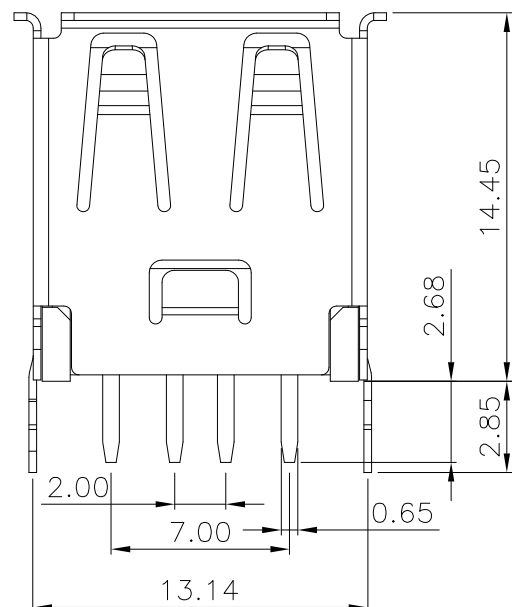
1. Connector Mate and Unmate Force
 - 1.1 Mate force: 3.57 kgf (Max)
 - 1.2 Unmate force: 1.02 kgf (Min)

Material:

1. Housing: PBT, UL94V-0
2. Contact: Phosphor Bronze
3. Shell: Phosphor Bronze

Finish:

1. Contact: Plated Gold in Mating Area ;
Tin Plated on Solder Balls
Nickel under plated overall
2. Shell: Nickel under Plated surface layer



CONTACT 建倚科技股份有限公司
CONTACT TECHNOLOGY CORP.

TOLERANCE UNLESS OTHERWISE STATED:
 Up to 5 ±0.2
 Above 5 ~ 15 ±0.3
 Above 15 ~ 30 ±0.4
 Above 30 ~ 50 ±0.5
 Angle ±0.3

3RD. ANGEL'S



UNITS MM

DRAWN BY: Jack Lu
 CHECKED BY: Jacky Chen
 APPROVED BY: Tony Kao
 DATE: 03/10/16

MAT'L		TITLE	CONNECTOR
FINISH		MODLE	USB A/F 直立式魚叉腳 L:14.45mm
SCALE	1 : 1	DWG NO.	SUA-110V7-x-S183
SHEET NO.	1 of 1	PART NO.	SUA-110V7-x-S183
		SIZE	A4
		VER	R1

1	更新圖面尺寸	Jack	031016
ITEM NO.	DESCRIPTION	DRAWN	DATE