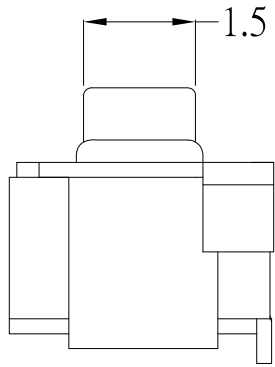
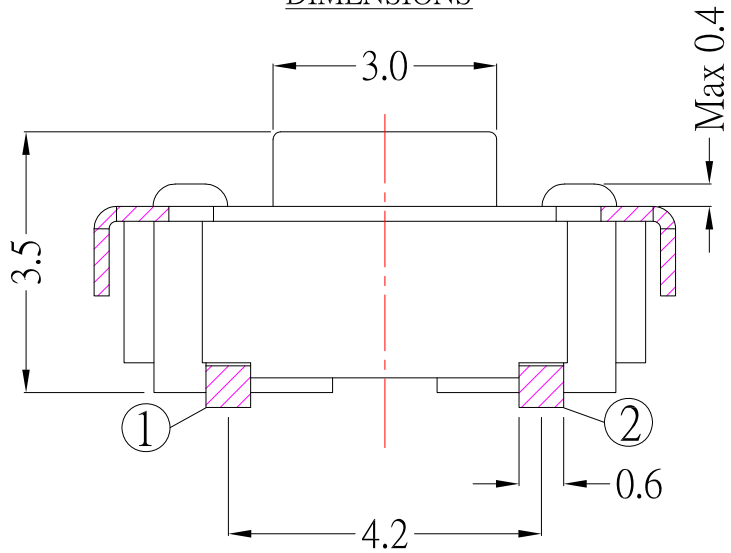
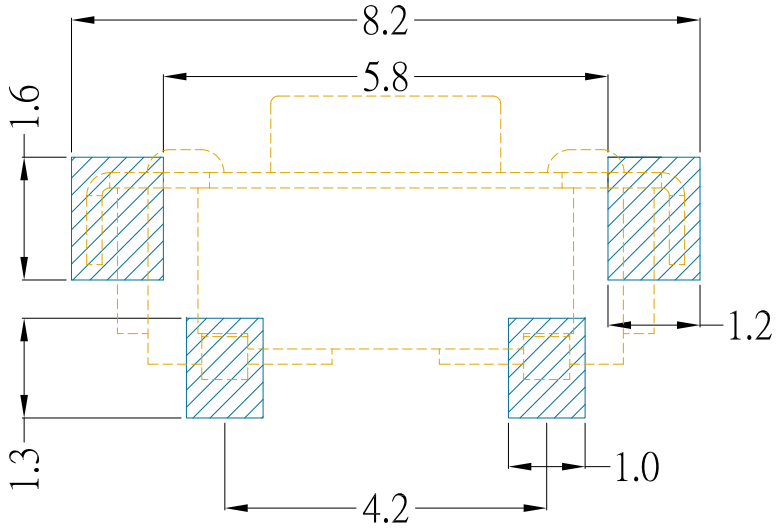




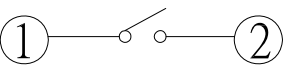
DIMENSIONS



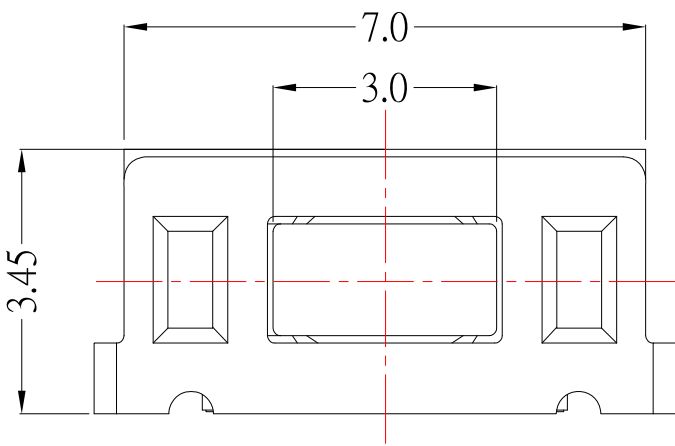
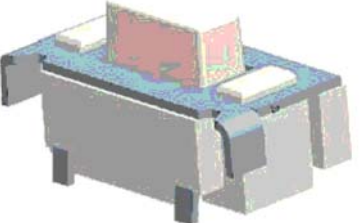
P.C.B. LAYOUT MOUNTING PATTERN



CIRCUIT DIAGRAM



PRODUCT IMAGE



SPECIFICATIONS

| | | | |
|-------------------------|------------------|------------|--------------|
| Rating | DC 12V 50mA Max. | | |
| Contact Resistance | 100mΩ Max. | | |
| Travel | 0.25 ± 0.1mm | | |
| Operating Force | 2 | 160 ± 30gf | 3 250 ± 50gf |
| Operating Life (cycles) | 50,000 | | 30,000 |

CONTACT 建倚科技股份有限公司
CONTACT TECHNOLOGY CORP.

TOLERANCE UNLESS OTHERWISE STATED :
Up to 5 ±0.2
Above 5 ~ 15 ±0.3
Above 15 ~ 30 ±0.4
Above 30 ~ 50 ±0.5
Angle ±0.3

3RD. ANGEL'S

UNITS MM

DRAWN BY: Frank Wu
CHECKED BY: Jacky Chen
APPROVED BY: Tony Kao

DATE: 02/24/12
DATE: 02/24/12
DATE: 02/24/12

MAT'L
FINISH
SCALE 1 : 1
SHEET NO. 1 of 1

TITLE SWITCH
MODLE TACT SWITCH
DWG NO. TS-A12-x-S126
PART NO. TS-A12-x-S126

| | | | |
|----------|-------------|-------|------|
| ITEM NO. | DESCRIPTION | DRAWN | DATE |
| | | | |

SIZE A4
VER A