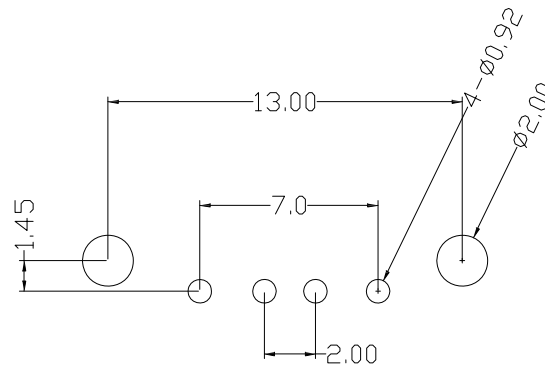
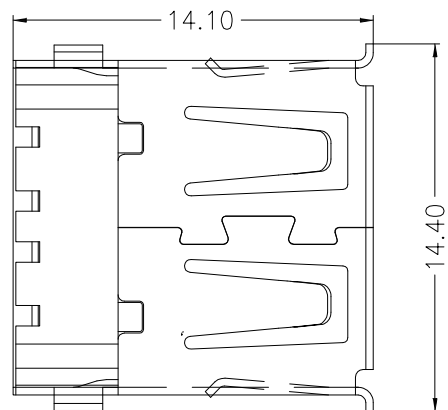
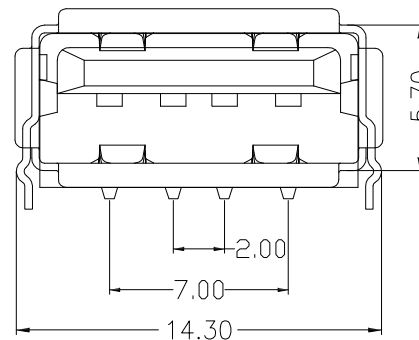
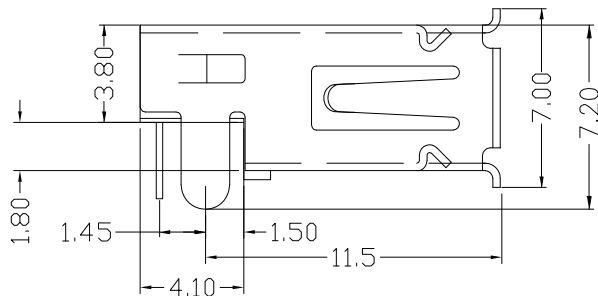




# SUA-110E-x-S235

Color
White : W
Black : B



Recommended P.C.B Layout

### SPECIFICATIONS

#### Electrical:

- 1.Voltage Current Rating: 1.5A , 30VAC
- 2.Contact Resistance: 30 mΩ Max
- 3.Insulation Resistance: 1,000 MEGA ohms Min
- 4.Dielectric Withstanding Voltage: 500 V AC
- 5.Operating Temperature: -35°C ~ 85°C
- 6.Mating Force: 3.5Kg Max
- 7.Unmating Force: 0.7Kg Min

#### Material:

- 1.Housing: Thermoplastics
- 2.Contact: Phosphor Bronze
- 3.Shell: Phosphor Bronze

#### Finish:

- 1.Contact: Plated Gold in Mating Area ;  
Tin Plated on Solder Balls  
Nickel under plated overall
- 2.Shell: Nickel under Plated surface layer

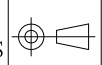
2	新增尺寸	Jack	112417
1	新增尺寸	Jack	121115
ITEM NO.	DESCRIPTION	DRAWN	DATE

**CONTACT** 建倚科技股份有限公司  
CONTACT TECHNOLOGY CORP.

TOLERANCE UNLESS OTHERWISE STATED :

Up to 5 ±0.2  
Above 5 ~ 15 ±0.3  
Above 15 ~ 30 ±0.4  
Above 30 ~ 50 ±0.5  
Angle ±0.3°

3RD. ANGEL'S



UNITS MM

DRAWN BY:	DATE	MAT'L	TITLE	CONNECTOR
Jack Lu	11/24/17			
CHECKED BY:	DATE	FINISH	MODLE	USB AF DIP 沉板 H:3.8mm
Jacky Chen	11/24/17			
APPROVED BY:	DATE	SCALE	DWG NO.	SUA-110E-x-S235
Tony Kao	11/24/17	1 : 1	PART NO.	SUA-110E-x-S235
		SHEET NO.	1 of 1	
				SIZE A4
				VER R2