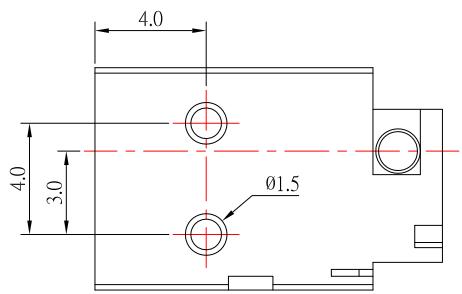
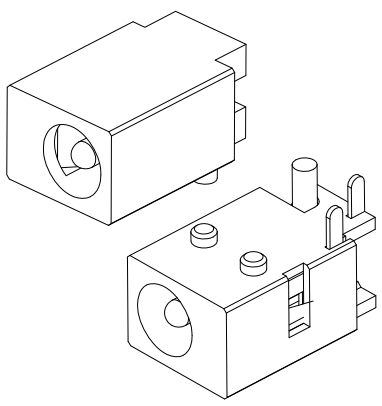


P.C.B LAYOUT  
(TOP VIEW)



SPECIFICATION

1. Rating : DC 30V 2.0A ;
2. Contact resistance :  $\leq 30m\Omega$  ;
3. Insulation resistance :  $\geq 100M\Omega$  ;
4. Withstand voltage : 500VAC ;
5. Insertion and extraction force : 3-20N;
6. life test : 5,000 cycles °

MODEL NO.	DC-066
SCHEMATIC	4 3 2
CENTER PIN	$\phi 1.65$ mm

4	PIN	1	BRASS	Ni-Plating
3	CURVE PIECE	1	BRASS	Ag-Plating
2	SPRING	1	PHOSPHOR BRONZE	Ag-Plating
1	HOUSING	1	PBT / PA9T	
NO.	DESCRIPTION	QTY	MATERIAL	PLATING



TOLERANCE UNLESS OTHERWISE STATED :  
 Up to 5 ±0.2  
 Above 5 ~ 15 ±0.3  
 Above 15 ~ 30 ±0.4  
 Above 30 ~ 50 ±0.5  
 Angle ±0.3°

3RD. ANGEL'S UNITS MM

DRAWN BY:	DATE	MAT'L	TITLE	JACK
Jack Lu	10/05/16		MODLE	DC JACK
CHECKED BY:	DATE	SCALE	DWG NO.	DC-066-1.65-S124
Jacky Chen	10/05/16	1 : 1	PART NO.	DC-066-1.65-S124
APPROVED BY:	DATE	SHEET NO.	1 of 1	
Tony Kao	10/05/16			

1	更新為A0版	Jack	100516
ITEM NO.	DESCRIPTION	DRAWN	DATE