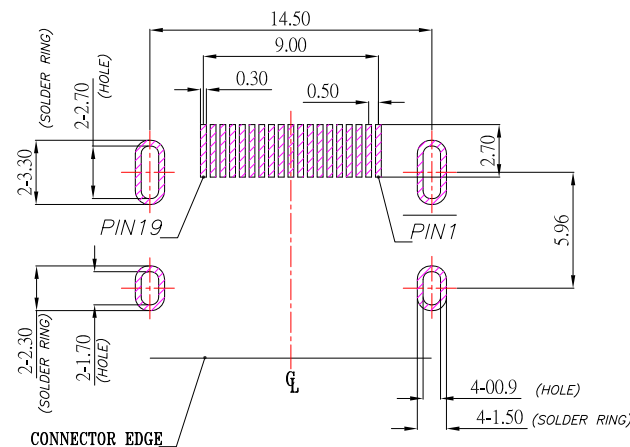
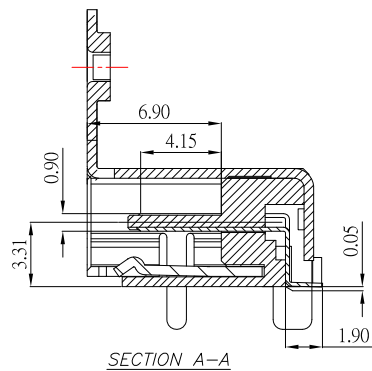
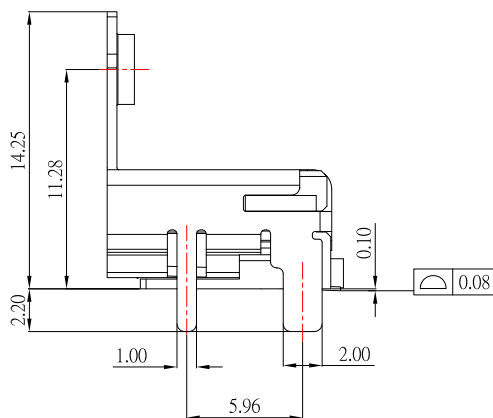
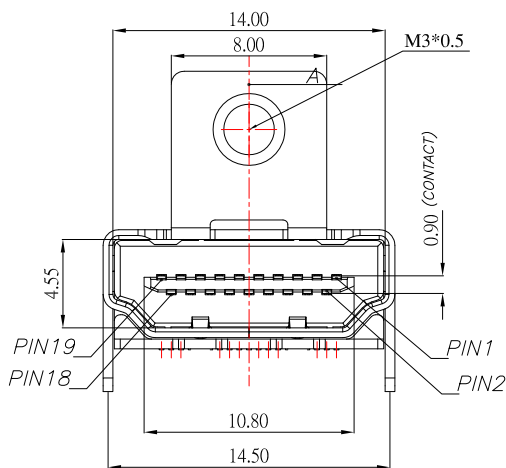


HDMI-19P-SND12x-S297

SHELL PLATED :

Blank	NI
G	GOLD



RECOMMENDED P.C.B. LAYOUT

NOTE:

1.MATERIAL:

- 1.1 HOUSING: LCP,UL94V-0 , BLACK
- 1.2 CONTACT: BRASS
- 1.3 SHEEL: BRASS

2.PLATING :

- 2.1 CONTACT: PLATED GOLD IN MATING AREA ;
TIN PLATED ON SOLDER BALLS ;
NICKEL UNDER PLATED OVERALL
- 2.2 SHELL: NICKEL UNDER PLATED SURFACE LAYER
OR GOLD UNDER PLATED SURFACE LAYER

3.MECHANICAL:

- 4.1 INSERTION FORCE: 4.5 Kgf MAX
- 4.2 WITHDRAWAL FORCE: 1.0 ~ 4.0 Kgf

CONTACT 建倚科技股份有限公司
CONTACT TECHNOLOGY CORP.

TOLERANCE UNLESS OTHERWISE STATED :

Up to 5	±0.2
Above 5 ~ 15	±0.3
Above 15 ~ 30	±0.4
Above 30 ~ 50	±0.5
Angle	±0.3

3RD. ANGEL'S



UNITS

MM

DRAWN BY:	DATE
Jack Lu	12/15/15
CHECKED BY:	DATE
Jacky Chen	12/15/15
APPROVED BY:	DATE
Tony Kao	12/15/15

MAT'L		TITLE	CONNECTOR
FINISH		MODLE	HDMI AF SMT 單耳無柱,螺絲孔 H11.28mm
SCALE	1 : 1	DWG NO.	HDMI-19P-SND12x-S297
SHEET NO.	1 of 1	PART NO.	HDMI-19P-SND12x-S297
		SIZE	A4
		VER	R

ITEM NO.	DESCRIPTION	DRAWN	DATE